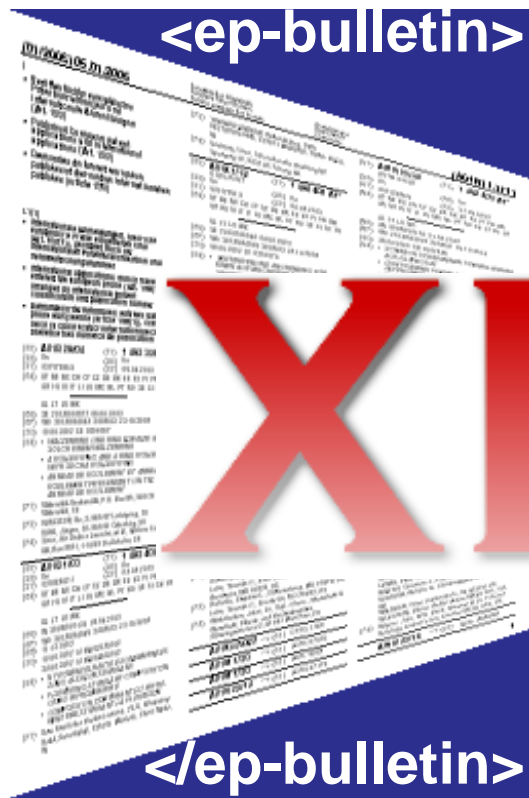


EBD - EPO Bibliographic Data - Specifications

Version 3.25
September 2014



EBD - EPO Bibliographic Data Specifications
Version 3.25
September 2014

**Note: This document (and DTDs) comes into force in
publication week 50, 2014 (10-12-2014)**

© European Patent Office

The latest version of this document may be found at our web site www.epo.org under the navigation tabs **>Searching from patents>Free online services>EBD**

Should you have questions, comments and/or corrections, please contact our Customer Services at our web site www.epo.org by clicking on **Contact** link

TABLE OF CONTENTS

| | |
|--|----|
| Summary of changes in Version 3..... | 6 |
| Summary of changes in Version 3.1..... | 6 |
| Summary of changes in Version 3.2..... | 7 |
| Summary of changes in Version 3.21..... | 7 |
| Summary of changes in Version 3.22..... | 7 |
| Summary of changes in Version 3.23..... | 8 |
| Summary of changes in Version 3.24..... | 8 |
| Summary of changes in Version 3.24.1..... | 8 |
| Summary of changes in Version 3.24.2..... | 8 |
| Summary of changes in Version 3.25..... | 9 |
| Introduction | 10 |
| Data description | 11 |
| Overview of bibliographic data flow | 14 |
| References..... | 18 |
| Table of tags | 19 |
| Item description and general considerations | 31 |
| Kinds of EP patent documents | 33 |
| Corrections..... | 37 |
| XML elements: detailed description..... | 38 |
| <ep-bulletin>: ep-bulletin | 38 |
| <B000>: Office specific system/file information | 40 |
| <eptags>: EPO specific tags | 40 |
| <B001EP>: Selective mask for states involved | 40 |
| <B002EP>: Changed tags | 42 |
| <B003EP>: Indicator 'no A-document published by EPO' | 43 |
| <B004EP>: Re-establishment of rights indicator | 43 |
| <B005EP>: Printer/Producer identification | 43 |
| <B006EP>: Indicator for international applications | 43 |
| <B007EP>: Reserved for EPO internal use..... | 44 |
| <B008EP>: Indicator for "small changes" | 44 |
| <B009EP>: Text from B725EP tag in the three EPO official languages | 44 |
| <B010EP>: Other rights and legal means of execution | 44 |
| <B012EP>: New revocation procedure (Art 105a)..... | 46 |
| <B015EP>: Number of copies to be printed | 47 |
| <B050EP>: Free text | 48 |
| <B053EP>: Additional remarks..... | 48 |
| <B070EP>: B publication technical field (subsequently filed technical information) | 49 |
| <B075EP>: Petition for review | 50 |
| <B078EP>: Date of 'No opposition filed' | 52 |
| <B080EP>: Public notification | 52 |
| <B090EP>: Limitation procedure | 53 |
| <B091EP>: Limitation procedure - Initial filing | 54 |
| <B092EP>: Limitation procedure - Rejection of limitation fields | 56 |
| <B093EP>: Limitation procedure - Limitation request allowed fields | 57 |
| <B100>: Document identification..... | 58 |
| <B110>: Publication number of the document (EPO or WIPO) | 58 |
| <B120>: Plain language designation | 59 |
| <B130>: Kind of document | 61 |

| | |
|---|----|
| <B132EP>: Original kind code..... | 61 |
| <B133EP>: New kind code..... | 62 |
| <B140>: Date of publication | 62 |
| <B150>: Patent correction information | 62 |
| <B190>: Publishing country or organisation | 66 |
| <B200>: Domestic filing data..... | 67 |
| <B210>: Application number..... | 67 |
| <B220>: Application filing date | 69 |
| <B235>: Date of refusal of application..... | 69 |
| <B236>: Date of withdrawal of application..... | 69 |
| <B237>: Date of application deemed withdrawn..... | 69 |
| <B238EP>: Date of receipt of request for re-establishment of rights | 69 |
| <B238>: Date of decision for re-establishment of rights | 69 |
| <B239>: Date of revocation | 69 |
| <B241>: Date of request for examination | 69 |
| <B242>: Date of despatch of the first examination report..... | 69 |
| <B243>: Date of 'patent maintained as amended' | 69 |
| <B244>: Request for conversion (to national application) under EPC Art. 135 | 70 |
| <B245>: Date of suspension (Rule 14) / Interruption (Rule 142) of proceedings..... | 70 |
| <B245EP>: Suspension/Interruption indicator | 70 |
| <B246>: Date of resumption of proceedings (Rule 14 / Rule 142)..... | 71 |
| <B250>: Filing language..... | 71 |
| <B251EP>: Procedure language | 71 |
| <B260>: Publication language..... | 72 |
| <B270>: Previously filed application | 73 |
| <B300>, <B310>, <B320>, <B330>: Priority data | 75 |
| <B400>: Public availability dates | 77 |
| <B405>: Patent Bulletin / Gazette information..... | 77 |
| <B430>: Unexamined document without grant (first publication)..... | 78 |
| <B450>: Document with grant (second publication) | 78 |
| <B451EP>: Date of announcement of intention to grant | 79 |
| <B452EP>: Date of announcement of intention to grant (after 01.07.2002)..... | 79 |
| <B453EP>: Limitation decision..... | 79 |
| <B477>: Document printed as amended, third level of publication (e.g. EPO 'B2') ... | 81 |
| <B480>: Corrigendum issued data | 81 |
| <B500>: Technical Data | 82 |
| <B510>: International Patent Classification (IPC)..... | 82 |
| <B510EP>: New International Patent Classification (IPC8)..... | 84 |
| <B540>: Title | 88 |
| <B560>: List of prior art documents..... | 89 |
| <B565>: Date of completion of search report | 89 |
| <B565EP>: Date of drawing up and despatch of supplementary search report | 89 |
| <B566EP>: Date of despatch for correction to the search report..... | 89 |
| <B598>: Figure number on first (title) page, abstract drawing | 89 |
| <B600>: References to other legally or procedurally related domestic patent documents | 90 |
| <B610>: Earlier document information | 90 |
| <B620>: Parent application data..... | 91 |
| <B620EP>: Divisional application(s)..... | 92 |
| <B700>: Parties concerned with the document | 93 |

| | |
|---|-----|
| <B710>: Applicants..... | 93 |
| <B720>: Inventors | 95 |
| <B730>: Grantees | 97 |
| <B740>: Attorney/agent of the applicant(s) | 99 |
| <B780>: Opposition(s)..... | 100 |
| <B790>: Licence(s)..... | 106 |
| <B800>: International Convention Data..... | 107 |
| <B830>: Information concerning deposit of micro-organisms..... | 107 |
| <B840>: Designated contracting states | 108 |
| <B844EP>: States to which the application/patent is extended..... | 108 |
| <B848EP>: States to which the patent is validated | 109 |
| <B860>: PCT application data..... | 109 |
| <B870>: PCT publication data | 110 |
| <B880>: Publication of the deferred search report | 110 |
| Character set | 111 |
| Unicode Table 1 – C0 Controls and Basic Latin | 112 |
| Unicode Table 2 – C1 Controls and Latin-1 | 115 |
| Publication event list..... | 118 |

Summary of changes in Version 3

The **main** changes compared with Version 2.2 are:

- § The tagging of the data is now XML (WIPO ST.36) compliant compared to SGML (WIPO ST.32)
- § Every tag has an end tag
- § Some tags are now in lower case eg. <adr>, <city>, <date>
- § All attributes are in lower case and the values are in quotes
- § There are no “floating” tags:
 -
 is replaced by UTF-8 code 000D – carriage return)
 - <BCHG> and <ECHG> replaced by a new way of indicating changes - see <B002EP> below
- § The new IPC standard is introduced (WIPO ST.8)
- § The character encoding is now Unicode/UTF-8

Note: 99% of B tags remain the same as in the previous SGML file.

Current users should have few problems converting their systems to these new files. Particular attention should be given to:

- Unicode/UTF-8 encoding – most systems can do this change automatically – the **rendering** (font) of the encoding is left to the user; for example Microsoft Windows users could use Arial Unicode MS
- The way changes are marked up in the new files
- The new IPC coding.

Summary of changes in Version 3.1

- § <B510> and <B510EP> details have been updated.

§ **WIPO ST.35 will not be used for XML data delivery**

§ **Data delivery will only be possible via the EBD website**

§ WIPO ST.32 (SGML) and WIPO ST.35 formats will continue to be published on the website into 2008 but users should switch to the XML format **which has been the official EPO data from week 1, 2006.**

Summary of changes in Version 3.2

These changes are made due to the introduction of EPC 2000 articles and rules into the EPO systems starting on 13 December 2007 (see: <http://www.epo.org/patents/law/legislative-initiatives/epc2000.html>). In many cases the actual use of the new articles and rules by applicants is unknown - it may be many months and/or years before this new data ever appears in the EBD files but, of course, we must be ready before then to process the data.

For PHASE 2: ep-bulletin.dtd ver 1.1

the following changes have been made:

- § version number of DTD changes
- § added sequence attribute to root element
- § added B075EP + sub-tags - for petition for review
- § added B090EP + sub-tags - for limitation request
- § added B690 + sub-tags - for previously filed application

Summary of changes in Version 3.21

- § removed B690 + sub-tags - previously filed application - from this document. It is still in the DTDs listed above but WILL NOT BE USED (on the advice of WIPO). In PHASE 3 of EPC2000 it will be introduced as, probably, <B270>, but this has to be cleared by WIPO; once it is agreed by WIPO we will issue new DTDs which will also contain other EPC2000 tags.

Summary of changes in Version 3.22

- § Added EPC 2000 new Article and Rule numbers in place of old equivalents eg. Art. 158(3) becomes 153(4). (Annex II of EPC 2000 has a cross-reference list).
- § Corrected
<!ELEMENT B0900EP (B091EP+) > to <!ELEMENT B0900EP (B091EP) >
(DTD is OK on this point)
- § Clarified values at <B0756EP>
- § Various tidying up of text layout
- § Note that examples may still have the older DTD version number

Summary of changes in Version 3.23

This document covers the changes for Phase 3 a) and b) - which will occur at different times during 2008:

| Phase | What | Publ. run | Publ. week |
|-----------------------------|--|------------|-------------------------|
| Phase 3 a) Datimtex v1.5 | <ul style="list-style-type: none"> - added: <!ELEMENT B012EP (B0120EP+)> - New revocation procedure - changed: <!ELEMENT B0900EP (B091EP+, B092EP?,B093EP?)> - Limitation procedure - added: <!ELEMENT B270 (dnum,date,ctry,kind?,dtx*) > - Previously filed application - Changed DTD version number to 1-3 (note: examples may have older version numbers) | 2008-04-18 | 2008-21 (21.05.2008) |
| Phase 3 b) Datimtex v1.6 | <ul style="list-style-type: none"> - added: details for B3 publications - added: <!ELEMENT B453EP (B4530EP+)> Limitation decision - changed, added attribute <!ELEMENT B132EP (#PCDATA)> <!ATTLIST B132EP sequence CDATA #IMPLIED > - added at <B121EP> Descriptive text for B2 and B3 documents - changed root element attribute values for id and/or file for ep-bulletin.dtd and ep- patent-document.dtd | 2008-06-20 | 2008-30 (23.07.2008) |

Summary of changes in Version 3.24

- There have been no new elements or attributes added or changed.
- An additional attribute value has been added to the **comments** of tag <B245EP> - added value "7" = Bankruptcy of the file representative (Rule 142(1)c)
- The version number has changed to keep pace with ep-patent-document.dtd where there have been changes (these changes do not affect the abstract)

Summary of changes in Version 3.24.1

On page 26, changed B730 to B731, grantee data.

Summary of changes in Version 3.24.2

Add Montenegro (ME) & San Marino (SM) in B001EP tag

Summary of changes in Version 3.25

- Define B565 tag which will contain the date of completion of search report
- Define tags for the Validation states B848EP & B849EP

Introduction

1. What are EBD files? EBD stands for EPO Bibliographic Data (it could also be EP Bulletin Data); the files consist of EPO patent data marked up using XML tags; the data gives details of all newly published applications and patents and recent changes to previously published patents. For example, the data includes details of date of filing, titles, applicant data, classification, priority data, etc. These are fairly complex files which require a good understanding of EPO patent procedures.
2. This document describes the format for bibliographic data used for:
 - the EP Bulletin (see: <http://bulletin.european-patent-office.org/>)
 - The EBD website (see <http://www.epo.org/searching/free/ebd.html>)
 - EPO patent publications – the title page (see: <https://publications.european-patent-office.org/PublicationServer/search.jsp>) and
 - EPO bibliographic data exchange.

The mark up of the data conforms to WIPO Standard ST.36 (see <http://www.wipo.int/scit/en/standards/standards.htm>)

3. The format provides for a system independent data format, using XML. (Note that the full text and images of all EP A and B documents are also available in ST.36 (XML) format).
4. The EBD files are available at: <http://www.epo.org/searching/free/ebd.html> **Check the website for the latest updates – including changes to this document.**
5. The application of the standard for bibliographic data processing is described below. As stated, it should be noted that these files contain fairly complex data and a good knowledge of EPO patent rules and formalities is required to make full use of the data, which includes a careful study of this document.
6. The XML Document Type Definition - DTD - ep-bulletin.dtd - can be found on the EBD website under "**Documentation**"
7. Note: not all data elements in ST.36 and the ep-bulletin.dtd are used by the EPO; only the ones used are described in this document.

Data description

1. The bibliographic data described below includes all the information according to Rule 143 of the EPC (European Patent Convention, 13th edition; previously Rule 92). That is:

Rule 143 - Entries in the Register of European Patents

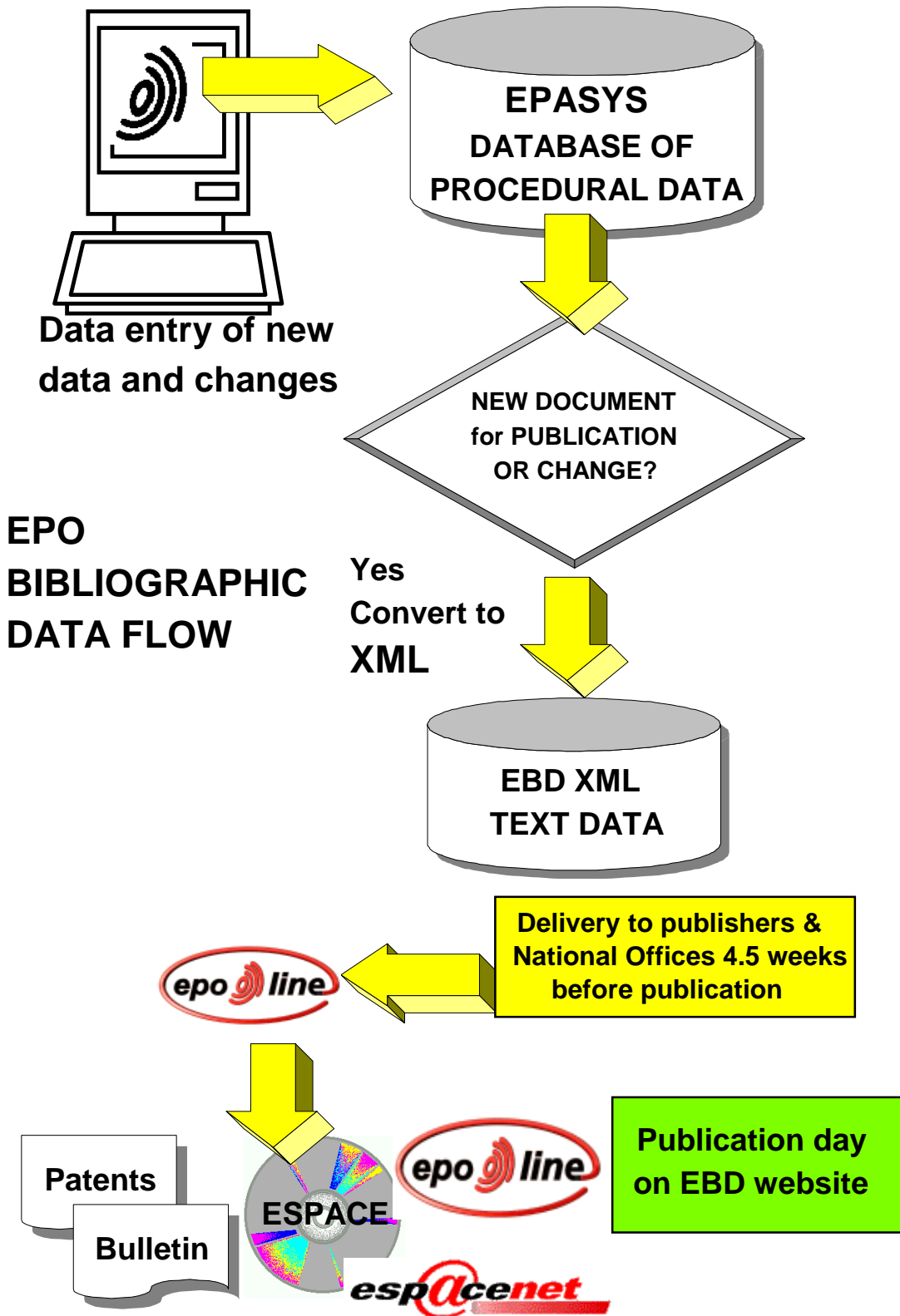
(1) The Register of European Patents shall contain the following entries:

- (a) number of the European patent application;
- (b) date of filing of the application;
- (c) title of the invention;
- (d) classification symbols assigned to the application;
- (e) the Contracting States designated;
- (f) particulars of the applicant for or proprietor of the patent as provided in Rule 41, paragraph 2(c);
- (g) family name, given names and address of the inventor designated by the applicant for or proprietor of the patent, unless he has waived his right to be mentioned under Rule 20, paragraph 1;
- (h) particulars of the representative of the applicant for or proprietor of the patent as provided in Rule 41, paragraph 2(d); in the case of several representatives only the particulars of the representative first named, followed by the words "and others" and, in the case of an association referred to in Rule 152, paragraph 11, only the name and address of the association;
- (i) priority data (date, State and file number of the previous application);
- (j) in the event of a division of the application, the numbers of all the divisional applications;
- (k) in the case of a divisional application or a new application under Article 61, paragraph 1(b), the information referred to in sub-paragraphs (a), (b) and (i) with regard to the earlier application;
- (l) date of publication of the application and, where appropriate, date of the separate publication of the European search report;
- (m) date of filing of the request for examination;
- (n) date on which the application is refused, withdrawn or deemed to be withdrawn;
- (o) date of publication of the mention of the grant of the European patent;
- (p) date of lapse of the European patent in a Contracting State during the opposition period and, where appropriate, pending a final decision on opposition;
- (q) date of filing opposition;

- (r) date and purport of the decision on opposition;
 - (s) dates of stay and resumption of proceedings in the cases referred to in Rules 14 and 78;
 - (t) dates of interruption and resumption of proceedings in the case referred to in Rule 142;
 - (u) date of re-establishment of rights provided that an entry has been made in accordance with sub-paragraph (n) or sub-paragraph (r);
 - (v) the filing of a request for conversion under Article 135, paragraph 3;;
 - (w) rights and transfer of such rights relating to an application or a European patent where these Implementing Regulations provide that they shall be recorded.
 - (x) date and purport of the decision on the request for limitation or revocation of the European patent;
 - (y) date and purport of the decision of the Enlarged Board of Appeal on the petition for review.
2. This information allows users to keep European Patent Register information up-to-date. For details about the EPO Patent Register see: www.epo.org and click on the **European Patent Register link**. The big differences between the Register and EBD files are:
 - 2.1 The register provides complete historical data for a patent file plus other information not included in Rule 143. The EBD covers one publication week and all new and changed data during that week.
 - 2.2 The EBD provides bulk data (for a publication week only) which can be downloaded for database updates etc. The Register deals with individual files only.
 3. It must be stressed that this format will be used only for EP publication data and not necessarily, for example, from other EPO systems such as DOCDB and EPOQUE.
 4. All data in the EBD format is extracted from the EPO's EPASYS database - a database which contains all procedural data regarding European patent documents. EPASYS data input is the responsibility of many EPO staff (examiners and formalities officers) with many thousands of transactions taking place per day. No new data content is added during the conversion to the EBD format (except XML tags) - we can only process what is in the EPASYS database. If there is a mistake in EPASYS, for example, there will be a mistake in the EBD data.
 5. Once per week there is a so called 'publication run' which extracts from EPASYS the data required for the publication of EP A and B publications, the EP Bulletin and for data exchange purposes. It is at this time that the bibliographic data file is created. Therefore, the data is a 'photograph' of all the previous weeks additions, changes, etc. in EPASYS.
 6. It should be noted that the EBD file is not a cumulative record of all the changes which may have been made to a file (for this users should refer to the Register of European Patents (see above) - it is a 'snap shot' of only those changes which occurred in a particular publication week. In addition there is a clear distinction between A and B publications (separate files) since these are separate documents for publication purposes - therefore, the B file is not an update of the A file; it is a file

in its own right (extracted from EPASYS) - although, of course, much of the data may be the same in both files.

Overview of bibliographic data flow



In terms of volume and size of data the average weekly bibliographic data for 2014 was :

New (first) EP publications:

A1 and A2 : 1400 Docs
A3 : 360 Docs
B1 : 1052 Docs
B2 : 15 Docs

Euro PCT : 2485 Docs

Changed EP publications:

A1 and A2 : 11400 Docs
B1 and B2 : 6400 Docs

WIPO publications:

WIPO 2(A1) : 3680 Docs
WIPO 2(A2) : 400 Docs

Note: when stored all these files will be 'zipped' to create a zip file with a size varying from 5 to 50MB, containing two files: one for all A publications and one for all B publications - these will extract to, say, 35 and 350 MB respectively in 2014.

7. When extracting the data from EPASYS we have split the job into the following parts:

7.1 A1 and A2: EP patent applications and Euro-PCT's (Art. 153(4)) which have not been published in one of the three EPO languages.

These are listed in the EP Bulletin in Section I.1(2)

7.2 A3: EP patent applications (Title page plus search report)

These are listed in the EP Bulletin in Section I.1(3)

7.3 B1: EP patent specifications

These are listed in the EP Bulletin in Section II.1(1)

7.4 B2: NEW EUROPEAN PATENT SPECIFICATION
NEUE EUROPÄISCHE PATENTSCHRIFT
NOUVEAU FASCICULE DE BREVET EUROPEEN

to be followed with a new second line indicating B2

'After Opposition procedure'
'Nach dem Einspruchsverfahren'

'Après la procédure d'opposition'

These are listed in the EP Bulletin in Section II.1(2)

7.5 B3: NEW EUROPEAN PATENT SPECIFICATION
NEUE EUROPÄISCHE PATENTSCHRIFT
NOUVEAU FASCICULE DE BREVET EUROPEEN

to be followed with a second line indicating a B3

'After limitation procedure (B3-1)'

'Nach dem Beschränkungsverfahren (B3-1)'

'Après la procédure de limitation (B3-1)'.

These are listed in the EP Bulletin in Section II.1(3)

7.6 Euro-PCT applications:

International applications which have entered the European phase (Art 153(1)). These are listed in the EP Bulletin in Section I.1(1) which contains all Euro-PCT applications for which the EPO has not printed the A-document. To identify these applications in the Bulletin Section I.1(1), an asterisk '*' is printed next to the publication number.

7.7 International applications not entering the European phase.

These are listed in the EP Bulletin in Section I.2 which contains all international applications which have not paid the fees in due time and therefore are not entering the European phase.

7.8 A-patent application changes

These are listed in the EP Bulletin in Section I.12

7.9 B-patent specification changes

These are listed in the EP Bulletin in Section II.12

8. The new EP publications:

A1, A2 and A3: EP patent applications
B1, B2 and B3: EP patent specifications

need little explanation - these are the documents coded as "ready for publication" 4.5 weeks before the publication. Therefore, for example, the EPO publication contractors will use this data, together with data previously captured by them, eg. description and drawings, to create and print the final patent documents for that week.

9. Changed EP documents:

These need more explanation - especially on the size of the two files: generally over 10 MB altogether.

In the EP Bulletin only brief details are given of changes to published documents. The most common changes, for A documents, for example, are shown in Section I.7: "Date of filing of request for examination", with the following format:

(11) 0 851 243 13.10.1999

In the XML file ALL the data for this publication would be given.

References

The following documents are of importance to this document:

WIPO Standard ST.36: Recommendation for the Processing of Patent Information using XML

WIPO Standard ST.3, Two-Letter code for countries, organizations etc.

WIPO Standard ST.8, Recording of international patent classification (IPC)

WIPO Standard ST.9, Recommendation concerning bibliographic data on and relating to patent documents.

WIPO Standard ST.50, Guidelines for Issuing corrections, alterations and supplements relating to patent information

Note: These standards can be viewed/downloaded from the WIPO Internet site:
www.wipo.int/scit/en/standards/standards.htm

Extensible Markup Language (XML) 1.0 (Third Edition). W3C Recommendation 4th February 2004, François Yergeau, Tim Bray, Jean Paoli, C. M. Sperberg-McQueen, Eve Maler (see: <http://www.w3.org/XML/>)

International Standard ISO 639:1988, Code for the representation of names of languages.

The Unicode Standard, Version 4.0 (see: <http://www.unicode.org/>)

Table of tags

These tables do **not** include all bibliographic tags listed in WIPO ST.36 and in the DTD; only those required for the Bulletin-EBD format. The table is followed by a detailed description of each tag and example mark up.

Key to column headers:

INID: an acronym for “Internationally agreed Numbers for the Identification of (bibliographic) Data.”): a list of approximately 60 distinct bibliographic data widely used on the first page of patent documents or in Patent Gazettes. (See WIPO ST.9)

Rep tag: Repeat tag

| INID code | Rep Tag | Bibliographic tag | | | Description |
|-----------|---------|-------------------|--------|------|---|
| | | ep-bulletin | | | The root tag for each patent bibliographic file |
| | | SDOBI | | | Sub-DOCUMENT for Bibliographic data |
| | | B000 | | | Office specific system/file information |
| | | EPTAGS | | | EPO specific tags |
| | | | B001EP | | Selective mask for states involved |
| | | | B002EP | | Changed tags |
| | | | B003EP | | EURO-PCT applications for which no EPO.A-document published |
| | | | B004EP | | Re-establishment of rights indicator |
| | | | B005EP | | Printer identification |
| | | | B006EP | | Indicator for international applications |
| | | | B007EP | | Reserved for EPO internal use |
| | | | B008EP | | Indicator for small changes |
| | | | B009EP | | Text from B725EP tag in the three EPO official languages |
| | | | | text | Each language within text tag |
| | | | B010EP | | Other rights and legal means of execution |
| | R | | B011EP | | Date, serial number & states concerned |

| INID code | Rep Tag | Bibliographic tag | | | | Description |
|-----------|---------|-------------------|--------|---------|---------|--|
| | | | | | date | Date of notification |
| | | | | | dnum | Serial number of the legal right |
| | | | | | text | Sequence counter |
| | R | | | | ctry | Country code (States concerned) |
| | | | B012EP | | | New revocation procedure (Art 105a) |
| | R | | | B0120EP | | Revocation-procedure |
| | | | | | B0121EP | Revocation request filed on (date) |
| | | | | | B0122EP | Kind of revocation |
| | | | | | B0123EP | Decision on revocation request |
| | | | | | B0124EP | Paid on (date) |
| | | | | | B0125EP | Language |
| | | | | | B0126EP | Date of despatch of the decision |
| | | | | | B0127EP | Date of legal effect |
| | | | B015EP | | | Number of documents to be printed |
| | | | B050EP | | | Free text |
| | R | | | | | Language and text |
| | | | | B051EP | | Language |
| | | | | B052EP | | Text |
| | R | | B053EP | | | Additional remarks |
| | | | B070EP | | | B publication technical field (subsequently filed technical information) |
| | | | B078EP | date | | Date of 'No opposition filed' |
| | | | B075EP | | | Petition for reviews |
| | R | | | B0750EP | | Petition for review |
| | | | | | B0751EP | Appeal number |
| | | | | | B0752EP | Petitioner code |
| | | | | | B0753EP | <date> Date of notice of petition |
| | | | | | B0755EP | <date> Date of decision |
| | | | | | B0756EP | Kind of decision |
| | | | B080EP | | | Public notification |

| INID code | Rep Tag | Bibliographic tag | | | | Description |
|-----------|---------|-------------------|--------|---------|---------|--|
| | | | | B081EP | | Inspection place |
| | | | | B082EP | | Addressee |
| | | | | | snm | Name |
| | | | | | adr | Address |
| | | | | | str | Street |
| | | | | | city | City, town |
| | | | | | ctry | Country |
| | | | | B083EP | | Free text |
| | | | B090EP | | | Limitation procedures |
| | R | | | B0900EP | | Limitation procedure |
| | | | | | B091EP | Limitation filing |
| | | | | | B0911EP | <date> Limitation filing date |
| | | | | | B0912EP | Limitation filing kind |
| | | | | | B0913EP | Limitation filing decision |
| | | | | | B0914EP | <date> Limitation payment date |
| | | | | | B092EP | Rejection of limitation |
| | | | | | B0921EP | Kind of rejection |
| | | | | | B0922EP | Decision despatched on (date) |
| | | | | | B0923EP | Legal effect on (date) |
| | | | | | B093EP | Limitation request allowed |
| | | | | | B0931EP | Despatched on (date) |
| | | | | | B0932EP | Translation received on (date) |
| | | | | | B0933EP | Full payment received on (date) |
| 10 | | B100 | | | | Document identification |
| 11 | | | B110 | | | Number of the document (EPO or WIPO publication) |
| 12 | | | B120 | | | Plain language designation |
| | | | B121 | | | Plain language designation of the kind of document |

| INID code | Rep Tag | Bibliographic tag | | | | Description |
|-----------|---------|-------------------|--------|-------|--|---|
| | | | B121EP | | | Descriptive text for B121 (EPO) |
| 13 | | B130 | | | | Kind of document |
| | | B132EP | | | | Original kind code |
| | | B133EP | | | | New kind code |
| | | B140 | date | | | Document date, usually date of publication |
| 15 | | B150 | | | | Patent correction information |
| | | | B151 | | | Supplementary correction code |
| | | | B152 | date | | Issue date of announced correction being cancelled. |
| | | | B153 | | | Affected INID codes |
| | | | B154 | | | Standard notes |
| | R | | | B1541 | | Note language |
| | R | | | B1542 | | Note text |
| | | | B155 | | | Affected parts of document |
| | R | | | B1551 | | Part language |
| | R | | | B1552 | | Part text |
| | | B190 | | | | Publishing country or organisation |
| 20 | | B200 | | | | Domestic filing data |
| 21 | | B210 | | | | Number assigned to the application (EPO no.) |
| 22 | | B220 | date | | | Application filing date |
| 23 | | B230 | | | | Other dates |
| | | | B235 | date | | Date of refusal of application |
| | | | B236 | date | | Date of withdrawal of application |
| | | | B237 | date | | Date of application deemed withdrawn |
| | | | B238EP | date | | Date of receipt of request for re-establishment of rights |
| | | | B238 | date | | Date of decision for re-establishment of rights |
| | | | B239 | date | | Date of revocation |
| 24 | | B240 | | | | Dates from which industrial property rights may have effect |

| INID code | Rep Tag | Bibliographic tag | | | | Description |
|-----------|---------|-------------------|--------|------|--|---|
| | | | B241 | date | | Date of request for examination |
| | | | B242 | date | | Date of despatch of the first examination report |
| | | | B243 | date | | Date of 'patent maintained as amended' |
| | | | B244 | | | Request for conversion under Article 135 |
| | | | | date | | Date of the request for conversion to National application |
| | | | | ctry | | Country code (States concerned) |
| | | | B245 | date | | Date of suspension (Rule 14) / Interruption (Rule 142) of proceedings |
| | | | B245EP | | | Suspension/Interruption indicator |
| | | | B246 | date | | Date of resumption of proceedings (Rule 14 / Rule 142) |
| 25 | | B250 | | | | Filing language |
| | | B251EP | | | | Procedure language |
| 26 | | B260 | | | | Publication language |
| 27 | | B270 | | | | Previously filed application |
| | | | dnum | | | Document number |
| | | | | anum | | Document application number |
| | | | date | | | Date |
| | | | ctry | | | Country |
| | | | kind | | | Kind |
| | R | | dtxt | | | Free text |
| 30 | | B300 | | | | Priority data |
| | R | | | | | Priority elements |
| 31 | | | B310 | | | Number |
| 32 | | | B320 | date | | Date |
| 33 | | | B330 | ctry | | Country in which the priority application was filed |
| 40 | | B400 | | | | Public availability dates |
| | | | B405 | | | Patent Bulletin / Gazette information |

| INID code | Rep Tag | Bibliographic tag | | | | Description |
|-----------|---------|-------------------|---------|------|--|---|
| | | | date | | | Publication date |
| | | | bnum | | | Issue number of the Bulletin |
| 43 | | B430 | | | | Unexamined document without grant (first publication) |
| | | | date | | | Publication date |
| | | | bnum | | | Issue number of the Bulletin |
| 45 | | B450 | | | | Document with grant (second publication) |
| | | | date | | | Publication date |
| | | | bnum | | | Issue number of the Bulletin |
| | | B451EP | date | | | Date of announcement of intention to grant without preceding Examination report. |
| | | B452EP | date | | | Date of announcement of intention to grant without preceding Examination report (after 01.07.2002). |
| | | B453EP | | | | Limitation decisions |
| | R | | B4530EP | | | Limitation decision |
| | | | | kind | | Kind |
| | | | | date | | Date |
| | | | | bnum | | Issue number of the Bulletin |
| | | B472 | | | | Term of grant |
| | | | B475 | | | Lapse of a patent |
| | R | | | | | Lapse elements |
| | | | | date | | Date of lapse |
| | | | | ctry | | Country code (State concerned) |
| | | B477 | | | | Document printed as amended, third level of publication (e.g EPO 'B2') |
| | | | date | | | Publication date |
| | | | bnum | | | Issue number of the Bulletin |
| 48 | | B480 | | | | Date of issuance of corrected patent document |
| | | | date | | | Publication date |
| | | | bnum | | | Issue number of the Bulletin |

| INID code | Rep Tag | Bibliographic tag | | | | Description |
|-----------|---------|--|--------|------|--|--|
| 50 | | B500 | | | | Technical Data |
| | | B510 | | | | International patent classification |
| | | | B516 | | | Edition of IPC |
| 51 | | | B511 | | | Main classification (IPCL) |
| 51 | R | | B512 | | | Further classification (OBSC) |
| | R | | B513 | | | Additional information. (NOSC) |
| | R | | B514 | | | Linked indexing code. (NOSC) |
| | R | | B515 | | | Unlinked indexing code. (NOSC) |
| | | | B517EP | | | Non obligatory supplementary classification as one string. (NOSC) |
| 51 | | B510EP classification-ipcr (see detail below) | | | | International patent classification (IPCR – in force 01-2006) |
| 54 | | B540 | | | | Title |
| | R | | | | | Language and text |
| | | | B541 | | | Language of the title |
| | | | B542 | | | Title of the invention |
| 56 | | B560 | | | | List of prior art documents |
| | R | | B561 | | | Patent citation |
| | | | | text | | The actual citation |
| | R | | B562 | | | Non patent citation |
| | | | | text | | The actual citation |
| | | | B565 | date | | Date of completion of search report |
| | | | B565EP | date | | Date of drawing up and despatch of supplementary search report |
| | | | B566EP | date | | Date of despatch for correction to the search report |
| | | B590 | | | | Information about specifications and drawings |
| | | | B598 | | | Figure number on first (title) page, abstract drawing |
| 60 | | B600 | | | | References to other legally or procedurally related domestic patent documents |
| 61 | | B610 | | | | Earlier document information |

| INID code | Rep Tag | Bibliographic tag | | | | Description |
|-----------|---------|-------------------|------|------|------|--|
| | | parent | | | | Parent relation |
| | | | pdoc | | | Earlier document data |
| | | | | dnum | text | Document number |
| | | | | | anum | Application number |
| | | | | | pnum | Publication number |
| | | | | date | | Date of receipt |
| 60 | | B620 | | | | Parent application |
| | | parent | | | | Parent relation |
| | R | | pdoc | | | Parent application data |
| | | | | dnum | text | Document number |
| | | | | | anum | Application number |
| | | | | | pnum | Publication number |
| | | | | date | | Date of receipt |
| 62 | | B620EP | | | | Divisional application(s) |
| | | parent | | | | Parent relation |
| | R | | cdoc | | | Divisional application data |
| | | | | dnum | text | Document number |
| | | | | | anum | Application number |
| | | | | | pnum | Publication number |
| | | | | date | | Date of receipt |
| 70 | | B700 | | | | Parties concerned with the document |
| 71 | | B710 | | | | Applicants |
| | R | | B711 | | | Applicant data |
| | | | | snm | | Name |
| | | | | iid | | EPO number of the Applicant |
| | | | | irf | | Reference from the Applicant |
| | R | | | syn | | Synonym cross reference for the Applicant |
| | | | | adr | | Address |
| | | | | | str | Street |
| | | | | | city | Town |

| INID code | Rep Tag | Bibliographic tag | | | | Description |
|-----------|---------|-------------------|------|--------|------|--|
| | | | | | ctry | Country code |
| | | | | B716EP | | Designated states for the applicant Used only when some of the designated states are mentioned |
| | R | | | | ctry | Country code |
| | | | | B717EP | | Designated extension for the applicant Used only when some of the extended states are mentioned |
| | R | | | | ctry | Country code |
| | | | | B718EP | date | Effective date for transfer of rights |
| 72 | | B720 | | | | Inventors |
| | R | | B721 | | | Inventor data |
| | | | | | snm | Name |
| | | | | | adr | Address |
| | | | | | str | Street |
| | | | | | city | Town |
| | | | | | ctry | Country code |
| | | | | B725EP | | The inventor has agreed to waive his entitlement to designation |
| | | | | | text | Text for entitlement to designation |
| 73 | | B730 | | | | Grantees |
| | R | | B731 | | | Grantee data |
| | | | | | snm | Name |
| | | | | | iid | EPO number of the Grantee |
| | | | | | irf | Reference from the Grantee |
| | R | | | | syn | Synonym cross reference for the Grantee |
| | | | | | adr | Address |
| | | | | | str | Street |
| | | | | | city | Town |
| | | | | | ctry | Country code |
| | | | | B736EP | | Designated states for the grantee Used only when some of the designated states are mentioned |

| INID code | Rep Tag | Bibliographic tag | | | | Description |
|-----------|---------|-------------------|------|--------|------|---|
| | R | | | | ctry | Country code |
| | | | | B737EP | | Designated extension for the grantee Used only when some of the extended states are mentioned |
| | R | | | | ctry | Country code |
| | | | | B738EP | date | Effective date for transfer of rights |
| 74 | | B740 | | | | Attorney/agent of the applicant(s) |
| | R | | B741 | | | Attorney/agent data |
| | | | | snm | | Name |
| | | | | sfx | | Suffix 'et al' |
| | | | | iid | | EPO number of the attorney/agent |
| | | | | adr | | Address |
| | | | | | str | Street |
| | | | | | city | Town |
| | | | | | ctry | Country code |
| | | B780 | | | | Opposition(s) |
| | R | | B781 | | | Opponent data |
| | | | | dnum | | Serial number of the opposition |
| | | | | | text | The number |
| | | | | date | | Date of opposition |
| | | | | kind | | Kind code of the result from the examination on admissibility |
| | | | | snm | | Name |
| | | | | iid | | EPO number of the opponent |
| | | | | adr | | Address |
| | | | | | str | Street |
| | | | | | city | Town |
| | | | | | ctry | Country code |
| | | | | B784 | | Attorney/agent of the opponent |
| | | | | | snm | Name |
| | | | | | sfx | Suffix 'et al' |
| | | | | | iid | EPO number of the attorney/agent |

| INID code | Rep Tag | Bibliographic tag | | | | Description |
|-----------|---------|-------------------|--------|------|------|---|
| | | | | | adr | Address |
| | | | | | str | Street |
| | | | | | city | Town |
| | | | | | ctry | Country code |
| | | | B787 | date | | Date of rejection of the opposition procedure |
| | | | B788 | date | | Date of termination of the opposition procedure |
| | | B790 | | | | Licence(s) |
| | R | | B791 | | | Licence data |
| | | | | dnum | | Serial number of the licence |
| | | | | | text | The number |
| | | | | date | | Date of legal effect of the licence |
| | | | | kind | | Kind of licence |
| | | | | | snm | Name |
| | | | | | iid | EPO number of the licensee |
| | | | | | adr | Address |
| | | | | | str | Street |
| | | | | | city | Town |
| | | | | | ctry | Country code |
| | | | | B796 | | Designated states concerned |
| | R | | | | ctry | Country code |
| 80 | | B800 | | | | International Convention Data |
| 83 | | B830 | | | | Information concerning deposit of micro-organisms |
| | | | B830EP | | | EPO Declaration |
| | | | B831 | | | Depository institution |
| | | | B832 | | | Accession number |
| | | | B833 | | | Date of deposit |
| | | | B834 | | | Term of deposit |
| | | | B835 | | | Free text |
| 84 | | B840 | | | | Designated contracting states |

| INID code | Rep Tag | Bibliographic tag | | | | Description |
|-----------|---------|-------------------|--------|--------|------|---|
| | R | | ctry | | | Country code |
| | | B844EP | | | | States to which the application/patent is extended |
| | R | | B845EP | | | Extended state data |
| | | | | ctry | | Country code |
| | | | | date | | Date of receipt of payment |
| | | | | B846EP | date | Date of withdrawal |
| | | B848EP | | | | States to which the application/patent is validated |
| | R | | B849EP | | | Validated state data |
| | | | | Ctry | | Country code |
| | | | | date | | Date of receipt of payment |
| 86 | | B860 | | | | PCT application data |
| | | | B861 | | | PCT date of filing & application number |
| | | | | dnum | text | PCT Document number |
| | | | | | anum | PCT Application number |
| | | | | date | | Date of filing |
| | | | B862 | | | Filing language |
| 87 | | B870 | | | | PCT publication data |
| | | | B871 | | | PCT date, issue number & publication number |
| | | | | dnum | text | PCT Document number |
| | | | | | pnum | PCT Publication number |
| | | | | date | | PCT Publication date |
| | | | | bnum | | Issue number of the Gazette |
| 88 | | B880 | | | | Publication of the search report |
| | | | date | | | Publication date |
| | | | bnum | | | Issue number of the Bulletin |

Note: "R" in third column (Rep. tag) means that the tag may be repeated.

Item description and general considerations

1. Dates are stored in 8 bytes. The format is always yyyyymmdd. The date is preceded by the <date> tag.
2. The issue number of the Bulletin is stored in 6 bytes in. The format is yyyyynn. The issue number is preceded by the <bnum> tag
3. The values used for country, state or language code fields are according to the Standard ISO/R 639-1967(F). The country code is preceded by the <ctry> tag and is always in UPPER case.
4. All elements are closed by an end tag i.e. the 'start tag' with a slash character </...>.

Example:

```
<B110> ... data ... </B110>  
<B450><date>20050420</date><bnum>200516</bnum> </B450>
```

5. A few characters, according to the XML standard, are coded as character entity references:

| | |
|-----------|-------------------------------|
| & : & | - ampersand (the most common) |
| > : > | - greater than |
| < : < | - less than |

Example:

J.A. Kemp & Co. = J.A. Kemp & Co.

6. Euro-PCT applications

WIPO sends application data to the EPO. Later on these applications will be split into:

- Applications **not entering** the European phase because the application is deemed to be withdrawn. These are printed in the Bulletin in "Section I.2".
- Applications **entering** the European phase (Euro-PCT). But there are two categories:
 - A. Applications for which EPO **does print** the A-document. Currently EPO prints, after translation, applications which were filed in Russian, Japanese, Spanish and Chinese. These are printed in the Bulletin in Section I.1(2) together with the EP documents.
 - B. Applications for which EPO **does not print** the A-document because the application was filed in one of the three official languages of the EPO (English, French or German).

These are printed in the Bulletin in "Section I.1(1)".

However, if the file goes forward for substantive examination, etc, the EPO may print the Patent Specification (B-document).

The usage and contents of ep-bulletin (country, doc-number), B110, B190, B003EP and B006EP tags for the cases above is shown in the table below.

| Situation | country | Doc-number | B110 | B190 | B003EP | B006EP |
|---|---------|-----------------|-----------------|------|-----------------|----------|
| Normal EPO publications These applications are printed in EPO Bulletin "Section I.1(2)". | EP | EPO publ number | EPO publ number | EP | Not used | Not used |
| WIPO publications with no EPO publication nr. and which are NOT entering the European phase . These applications are printed in the EPO Bulletin "Section I.2". Note: Tag <B237> contains the date when the application is deemed to be withdrawn. | WO | WIPO publ nr | WIPO publ nr | WO | Not used | 9121 |
| WIPO publications entering the European phase , (EURO PCT) and the EPO prints the A-document. These applications are printed in the EPO Bulletin "Section I.1(2)" | EP | EPO publ number | EPO publ number | EP | Not used | Not used |
| WIPO publications entering the European phase , (EURO PCT) and the EPO does not print the A-document. These applications are printed in the in EPO Bulletin "Section I.1(1)". | EP | EPO publ number | EPO publ number | EP | * (asterisk) | Not used |

Kinds of EP patent documents

1. A1/A2 new publication

ep-bulletin ... kind= A1 or A2
status=n

Example:

```
<ep-bulletin id="EP1024184A1" file="00100234.4" lang="de"
country="EP" doc-number="1024184" kind="A1" date-publ="20050105"
status="n" dtd-version="ep-bulletin-v1-1">
```

```
<B110>1024184</B110>
```

```
<B130>A2</B130>
```

```
<B430>
  <date>20050105</date>
  <bnum>200501</bnum>
</B430>
```

2. A1/A2 publication deleted

ep-bulletin kind=A1 or A2
status=r

B110 marked as deleted status=d ie. Publication is deleted

B130 marked as changed status=r

B430 marked as deleted status=d

Example:

```
<ep-bulletin id="EP1510131A1" file="03077683.5" lang="en"
country="EP" doc-number="1510131" kind="A1" date-publ="20050105"
status="r" dtd-version="ep-bulletin-v1-1">
```

```
<B002EP>
  <ep-chg-info>
    <ep-chg idref="ep-chg0001" btag="B110" date="20041119"
status="d"/>
    <ep-chg idref="ep-chg0002" btag="B130" date="20041119"
status="d"/>
    <ep-chg idref="ep-chg0003" btag="B430" date="20041119"
status="d"/>
  </ep-chg-info>
</B002EP>
```

...

```
<B110 id="ep-chg0001">1510131</B110> . .
```

```
<B130 id="ep-chg0002">A1</B130> . .
```

```
<B430 id="ep-chg0003"></B430>
```

3. A3 publication deleted

- ep-bulletin kind=A2
- ep-bulletin status=r
- B880 marked as deleted status=d

Example:

```
<ep-bulletin id="EP1407749A2" file="03292493.8" lang="en" country="EP"
doc-number="1407749" kind="A2" date-publ="20050105" status="r" dtd-
version="ep-bulletin-v1-3">
```

```
<B002EP>
  <ep-chg-info>
    <ep-chg idref="ep-chg0001" btag="B880" date="20041119"
status="d"/>
  </ep-chg-info>
</B002EP>
. . .
<B880 id="ep-chg0001"></B880>
....
```

4. B1 new publication

- ep-bulletin kind=B1
- ep-bulletin status=n

Example:

```
<ep-bulletin id="EP1104651B1" file="99926835.2" lang="en" country="EP"
doc-number="1104651" kind="B1" date-publ="20050105" status="n" dtd-
version="ep-bulletin-v1-3">
```

```
. . .
<B130>B1
</B130>
. . .
<B450>
  <date>20050102</date>
  <bnum>200501</bnum>
</B450>
```

5. B1 publication deleted

- ep-bulletin kind=B1
- ep-bulletin status=r
- B130 marked as changed status=r
- B450 marked as deleted status=d

```
<ep-bulletin id="EP0950772B1" file="99302798.6" lang="en" country="EP"
doc-number="0950772" kind="B1" date-publ="20050105" status="r" dtd-
version="ep-bulletin-v1-1">. . .
```

```
<B002EP>
  <ep-chg-info>
    <ep-chg idref="ep-chg0001" btag="B130" date="20041119"
status="r"/>
    <ep-chg idref="ep-chg0002" btag="B450" date="20041119"
status="d"/>
  </ep-chg-info>
</B002EP>
```

```
. . . . .
<B130 id="ep-chg0001">A2</B130>
```

```
. . . . .
<B450 id="ep-chg0002"></B450>
```

```
.....
```

6. B2 new publication

- ep-bulletin kind=B2
- ep-bulletin status=n

```
<ep-bulletin id="EP0709426B2" file="95810650.2" lang="de" country="EP"
doc-number="0709426" kind="B2" date-publ="20050105" status="n" dtd-
version="ep-bulletin-v1-1">
```

```
. . .
<B130>B2</B130>
```

```
. . .
<B450>
  <date>20000705
  <bnum>200027
</B450>
```

```
. . .
<B477>
  <date>20050105
  <bnum>200501
</B477>
```

7. B2 publication deleted

- ep-bulletin kind=B2
- ep-bulletin status=r
- B130 marked as changed status=r
- B477 marked as deleted status=d

```
.
```

```
<ep-bulletin id="EP1015504B2" file="98954254.3" lang="en" country="EP"
doc-number="1015504" kind="B2" date-publ="20050105" status="r" dtd-
version="ep-bulletin-v1-1">
```

```
. . .
```

```
<B002EP>
  <ep-chg-info>
    <ep-chg idref="ep-chg0001" btag="B130" date="20041119"
status="r" />
    <ep-chg idref="ep-chg0002" btag="B477" date="20041119"
status="d" />
  </ep-chg-info>
</B002EP>
```

```
.....
<B130 id="ep-chg0001">B1</B130>
.....
<B477 id="ep-chg0002"></B477>
.....
```

8. B3 new publication

EPC 2000 Phase 3b)

- ep-bulletin kind=B3
- ep-bulletin status=n

```
<ep-bulletin id="EP0709426B31" file="95810650.2" lang="de" country="EP"
doc-number="0709426" kind="B3" date-publ="20050105" status="n"
sequence="1" dtd-version="ep-bulletin-v1-3">
. . .
<B130>B3</B130>
. . .
<B450>
  <date>20000705
  <bnum>200027
</B450>
. . .
<B453EP>
  <B4530EP sequence="1" limitation-sequence="1">
    <kind>B3</kind>
    <date>20050105</date>
    <bnum>200501</bnum>
  </B4530EP>
</B453EP>
```

Notes:

- § Kind B3 is the first EPO patent publication which has the possibility of one or more occurrences of the original kind code (leaving aside corrected patents)
- § For this reason we have added to the kind code (B3) in the id attribute a sequence number - "B31", "B32", etc - otherwise the id would not be unique.
- § We have also added the "sequence" attribute to the root element.

Corrections

1. Printed EP patent applications and patent specifications which have failed to pass the in-house quality assurance inspection, or are reported to be in error by external agencies, are subjected to a corrections procedure. It is estimated that, on average, twenty documents per week are subjected to this procedure, about 0.5% of the total published documents. These documents have the following kind codes:

A8 Correction - reprint of the title page of an A-document
A9 Correction - complete reprint of an A-document

B8 Correction - reprint of the title page of a B-document
B9 Correction - complete reprint of a B-document
2. Therefore, based on a specification which is in accordance with WIPO ST.50: *Guidelines for Issuing corrections, alterations and supplements relating to patent information*, the EPO have implemented an automated corrections procedure.
3. The objectives of the procedure are: to have a centralised registration of documents requiring correction, to include the corrected documents in the weekly delivery of documents to the publishers and the subsequent dissemination of the corrected documents to external agencies.
4. The central registration is by means of a special coding (CORR) carried out by EPO staff in the European Patent Administration (EPASYS) database. This coding consists of 'correction items' which detail the corrections being made and possible re-publication to be done.
5. The EBD file contains additional information concerning the corrections being made. These are specified in more detail below.

XML elements: detailed description**<ep-bulletin>: ep-bulletin**

The following attributes are used in this order: -

| | |
|------------------|--|
| id= | The country code, application number and the kind code |
| file= | Application number with check digit |
| lang= | Language of publication code "en", "fr" or "de" |
| country= | Publishing country or organisation – EP or WO |
| doc-num= | Number of the document, (EPO or WIPO publication number). Same value as <B110> |
| kind= | Kind of document. Same value as <B130>. unless <B130> has a coding. |
| correction-code= | Correction code according to WIPO ST.50, eg. W1 |
| date-publ= | Document date of publication. Format is yyyymmdd |
| status= | Status of the application. The current values used are: n : New publication e.g. A1, A2, B1, B2 or B3 published for the first time. r : Replacement of data for an application already published. d : Deletion of an application already published (not used to date) c : Correction |
| sequence= | Sequence number - only used (so far) for kind B3 (EPC2000) |
| dtd-version= | The version number of the Document Type Definition |

Examples:

```
<?xml version="1.0" encoding="UTF-8" ?>
<!DOCTYPE ep-bulletin PUBLIC "-//EPO//EP BULLETIN 1.1//EN" "ep-bulletin-
v1-1.dtd">
<ep-bulletin id="EP1024184A1" file="00100234.4" lang="de" country="EP"
doc-number="1024184" kind="A1" date-publ="20050104" status="r" dtd-
version="ep-bulletin-v1-1">
```

```
<?xml version="1.0" encoding="UTF-8"?>
<!DOCTYPE ep-bulletin PUBLIC "-//EPO//EP BULLETIN 1.1//EN" "ep-bulletin-
v1-1.dtd">
<ep-bulletin id="EP00100102A2" file="00100102.3" lang="en" country="EP"
doc-number="1018688" kind="A2" date-publ="20060104" status="r" dtd-
version="ep-bulletin-v1-1">
```

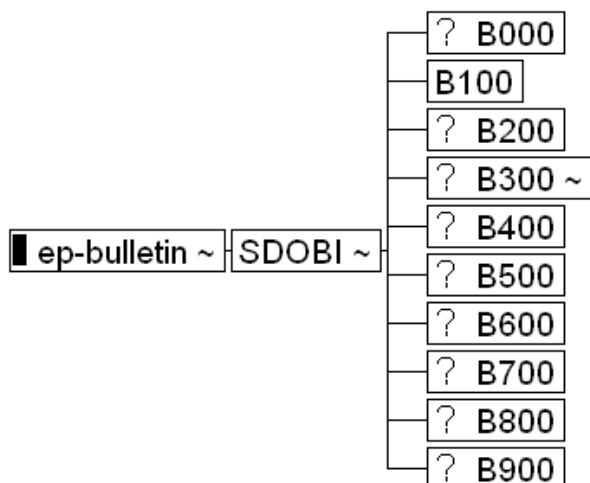
```
<?xml version="1.0" encoding="UTF-8"?>
<!DOCTYPE ep-bulletin PUBLIC "-//EPO//EP BULLETIN 1.1//EN" "ep-bulletin-
v1-1.dtd">
<ep-bulletin id="EP00115135B9W1" file="00115135.6" lang="en" country="EP"
doc-number="1049079" kind="B9" correction-code="W1" date-publ="20060104"
status="c" dtd-version="ep-bulletin-v1-1">
```

Note: each file starts with:

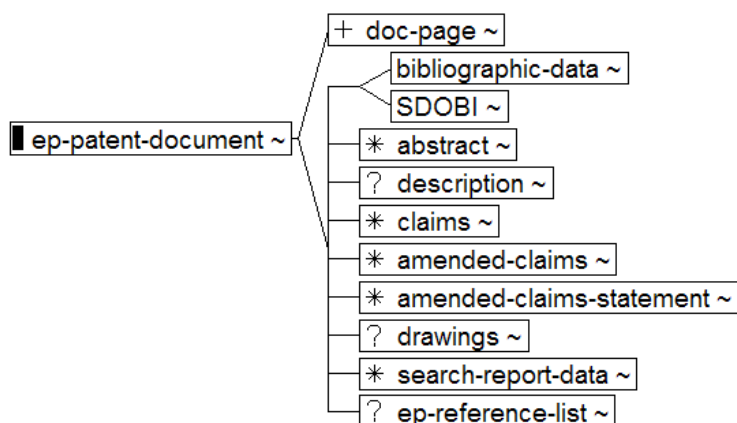
```
<?xml version="1.0" encoding="UTF-8" ?>
<!DOCTYPE ep-bulletin PUBLIC "-//EPO//EP BULLETIN 1.1//EN" "ep-bulletin-
v1-1.dtd">
```

This prologue and declaration are required for XML files. Each file (document instance) starts with these two lines and `<ep-bulletin . . . >` and ends with `</ep-bulletin>`

The basic structure of the DTD is as follows (? = optional):



Note: when the file is merged with the full text of the patent document then we use a different DTD: `ep-patent-document.dtd`; however, all the data elements found in `<SDOBI>` remain exactly the same. The basic structure of this DTD is as follows:



In the model above EITHER `<bibliographic-data>` OR `<SDOBI>` may be used; for the EPO publication system and files we will stick to `<SDOBI>` for the foreseeable future since many other systems and clients use this format. It is intended that there should be a one-to-one relationship between the elements in both models.

<SDOBI>: Sub-DOCUMENT for Bibliographic data

This tag is kept for backward compatibility with old SGML files; for this reason it is also kept in the main publication DTD: ep-patent-document – see above.

Attribute:

lang= Publication language. Same value as <B260>.

Example:

```
<SDOBI lang="en">
```

<B000>: Office specific system/file information**<eptags>: EPO specific tags**

Again, kept for backward compatibility and to avoid unnecessary changes. Under ST.36 rules this should really be: <ep-tags> or the like. Tags within this group may be changed at the discretion of the EPO.

<B001EP>: Selective mask for states involved

Mask for a selection on a particular state involved either by designation or extension. It contains all the states involved in the previously published situation as well as the current situation.

Every state has a fixed position within the mask reflecting the country code if the state has been mentioned, otherwise, if not present, it contains two dots.

| Position | Country code | Country name |
|----------|--------------|----------------|
| 01-02 | AT | Austria |
| 03-04 | BE | Belgium |
| 05-06 | CH | Switzerland |
| 07-08 | DE | Germany |
| 09-10 | DK | Denmark |
| 11-12 | ES | Spain |
| 13-14 | FR | France |
| 15-16 | GB | United Kingdom |
| 17-18 | GR | Greece |
| 19-20 | IT | Italy |
| 21-22 | LI | Liechtenstein |
| 23-24 | LU | Luxembourg |
| 25-26 | NL | Netherlands |
| 27-28 | SE | Sweden |
| 29-30 | MC | Monaco |
| 31-32 | PT | Portugal |
| 33-34 | IE | Ireland |
| 35-36 | SI | Slovenia |
| 37-38 | LT | Lithuania |
| 39-40 | LV | Latvia |
| 41-42 | FI | Finland |

| | | |
|-------|----|-------------------------|
| 43-44 | RO | Romania |
| 45-46 | MK | Macedonia |
| 47-48 | CY | Cyprus |
| 49-50 | AL | Albania |
| 51-52 | TR | Turkey |
| 53-54 | BG | Bulgaria |
| 55-56 | CZ | Czech Republic |
| 57-58 | EE | Estonia |
| 59-60 | HU | Hungary |
| 61-62 | PL | Poland |
| 63-64 | SK | Slovakia |
| 65-66 | BA | Bosnia and Herzegovina* |
| 67-68 | HR | Croatia |
| 69-70 | IS | Iceland |
| 71-72 | YU | Serbia and Montenegro* |
| 73-74 | MT | Malta |
| 75-76 | NO | Norway |
| 77-78 | RS | Republic of Serbia |
| 79-80 | ME | Montenegro* |
| 81-82 | SM | San Marino |

* = "Extension states", also recognise European patent applications and patents on their territory.

Note: The states codes stored in this tag are not necessarily the same state codes as in tag <B840> 'Designated contracting states'; eg. when a state has been deleted, the tag <B840> contains the new situation of the Designated contracting states, however tag <B001EP> still contains the states codes from the previous publication week.

Example (all current states, 2008):

```
<B001EP>ATBECHDEDKESFRGBGRITLILUNLSEMCPTIESILTLVFIROMKCYALTRBGCZEEHUPLSKB
AHRISYUMTNORS..</B001EP>
```

```
<B001EP>...BE..DE....FRGB..IT....NLSE.....</B001EP>
```

<B002EP>: Changed tags

This is a "container" for indicating all changes within a file; it contains the tags:

<ep-chg-info> and <ep-chg>

a) <ep-chg-info>

Container for:

b) <ep-chg>

This tag gives the details of where in the file (which Bnnn tag) changes have been made; it has the following attributes giving details of the change:

Attributes:

idref = reference to the id of the Bnnn tag changed
 btag = the actual tag where data has changed eg. B240
 date = date of the change
 status = type of change, the vaules for the EPO are:
 n = new data, inserted data
 r = replacement data
 d = deleted data

Examples:

```
<B002EP>
  <ep-chg-info>
    <ep-chg idref="ep-chg0001" btag="B542" date="20041118"
    status="r"/>
    <ep-chg idref="ep-chg0002" btag="B542" date="20041118"
    status="r"/>
    <ep-chg idref="ep-chg0003" btag="B542" date="20041118"
    status="r"/>
  </ep-chg-info>
</B002EP>
```

In this example the title has been replaced in the three languages:

```
<B540>
  <B541>de</B541>
  <B542 id="ep-chg0001">Verfahren zum Aufschäumen eines metallischen
  Werkstoffes</B542>
  <B541>en</B541>
  <B542 id="ep-chg0002">Process for foaming metallic
  articles</B542>
  <B541>fr</B541>
  <B542 id="ep-chg0003">Procédé pour le moussage d'articles
  métalliques</B542>
</B540>
```

```
<B002EP>
  <ep-chg-info>
    <ep-chg idref="ep-chg0001" btag="B840" date="20041113"
      status="n"/>
  </ep-chg-info>
</B002EP>
```

```
<B840 id="ep-chg0001">
  <ctry>DE</ctry><ctry>FR</ctry><ctry>GB</ctry><ctry>NL</ctry>
</B840>
```

<ep-chg> is recursive to allow for history of changes - changes to changes - possibly to be used in the EP register; recursion will **not** be used in the EBD.

<B003EP>: Indicator 'no A-document published by EPO'

This field contains an '*' (asterisk) for the EURO-PCT applications for which **no** A-document has been published by the EPO because it was filed with WIPO in one of the official languages of the EPO.

<B004EP>: Re-establishment of rights indicator

It contains the code of the decision after a request for re-establishment of rights.

The values used by the EPO are:

- 2 : Request not accepted
- 3 : Request accepted

Note: Used together with <B238>.

<B005EP>: Printer/Producer identification

<B006EP>: Indicator for international applications

This tag identifies the type of International applications. The values used by the EPO are:

- 9120 : Entering the European phase
- 9121 : Not Entering the European phase

```
<B006EP>9120</B006EP>
```

<B007EP>: Reserved for EPO internal use

This tag is reserved for EPO internal use.

<B008EP>: Indicator for "small changes"

This tag identifies "small changes" which are not printed in the EPO Bulletin such as removing the country code in the postcode. Currently and when present it contains the value 8.

<B009EP>: Text from B725EP tag in the three EPO official languages

This tag will contain the text stored in tag <B725EP> in EPO official languages ie. German, English and French to print in the EPO Bulletin. See Tag <B720>.

The text language order is German, English and French.

Example:

```
<B009EP>
  <text>Der weitere Erfinder hat auf seine Nennung verzichtet</text>
  <text>The other inventor has agreed to waive his entitlement to
  designation</text>
  <text>L'autre inventeur a renoncé à sa désignation</text>
</B009EP>
```

<B010EP>: Other rights and legal means of execution

```
<B010EP>
  <B011EP>
    <date>Date of notification</date>
    <dnum><text>sequence number of <B011EP> tag (this is
    repeatable data</text></dnum>
    <ctry>Country code (States concerned)</ctry>
  </B011EP>
</B010EP>
```

Example:

```
<B010EP>
  <B011EP>
    <date>20041103</date>
    <dnum>
      <text>01</text>
    </dnum>
    <ctry>DE</ctry>
    <ctry>ES</ctry>
```

```
    <ctry>FR</ctry>
    <ctry>GB</ctry>
    <ctry>IT</ctry>
  </B011EP>
</B010EP>
```

<B012EP>: New revocation procedure (Art 105a)

EPC 2000 Phase 3 a) change

EPC Article 105a - Request for limitation or revocation

(1) At the request of the proprietor, the European patent may be revoked or be limited by an amendment of the claims. The request shall be filed with the European Patent Office in accordance with the Implementing Regulations. It shall not be deemed to have been filed until the limitation or revocation fee has been paid.

(2) The request may not be filed while opposition proceedings in respect of the European patent are pending.

1. This form of revocation is always from the proprietor. (Note: Revocation within the existing opposition procedure may also be on request from the proprietor). This new procedure caters for revocation from the proprietor outside of the opposition procedure.

Both the request for Revocation 105a and the revocation itself are published in the Bulletin.

2. Note that the final result can only be a positive decision to actually revoke the patent.

```
<!ELEMENT B012EP (B0120EP+) >
```

```
<!ELEMENT B0120EP (B0121EP?,B0122EP?,B0123EP?,B0124EP?,B0125EP?,
B0126EP?,B0127EP?)>
```

```
  <!ELEMENT B0121EP (date) >
  <!ELEMENT B0122EP (#PCDATA) >
  <!ELEMENT B0123EP (#PCDATA) >
  <!ATTLIST B0123EP
            id ID      #IMPLIED >
  <!ELEMENT B0124EP (date) >
  <!ELEMENT B0125EP (#PCDATA) >
  <!ELEMENT B0126EP (date) >
  <!ELEMENT B0127EP (date) >
  <!ATTLIST B0127EP
            id ID      #IMPLIED >
```

| XML | Description / Use | EPASYS |
|-----------------|--|--------|
| <B012EP> | Memo used for revocation on request from the proprietor | REVR |
| <B0121EP><date> | Revocation request filed on | REVR01 |
| <B0122EP> | Kind of revocation: 01 = filed during opposition period 02 = filed after opposition period | REVR02 |
| <B0123EP> | Decision on revocation request: 01 = admissible 02 = inadmissible 03 = deemed not filed | REVR03 |
| <B0124EP><date> | Paid on | REVR04 |
| <B0125EP> | Language of revocation | REVR05 |
| <B0126EP><date> | Date of despatch of the decision | REVR06 |
| <B0127EP><date> | Date of legal effect | REVR07 |

Example:

```

<B012EP>
  <B0120EP>
    <B0121EP><date>yyyymmdd</date></B0121EP>
    <B0122EP>xx</B0122EP>
    <B0123EP id="ep-chg0001">xx</B0123EP>
    <B0124EP><date>yyyymmdd</date></B0124EP>
    <B0125EP>xx</B0125EP>
    <B0126EP><date>yyyymmdd</date></B0126EP>
    < B0127EP id="ep-chg0002"><date>yyyymmdd</date></B0127EP>
  </B0120EP>
</B012EP>

```

Note. For a revocation following an opposition procedure, the date of effect will be stored in the <B239> tag.

<B015EP>: Number of copies to be printed

<B050EP>: Free text

```
<B050EP>
  <B051EP> Language
    The values used are:
    de : German text
    en : English text
    fr : French text
  <B052EP> Free Text
</B050EP>
```

Example:

```
<B050EP>
  <B051EP>de</B051EP>
  <B052EP>Teilanmeldung 92117411.6 eingereicht am 06/11/87.</B052EP>
  <B051EP>en</B051EP>
  <B052EP>Divisional application 92117411.6 filed on
  06/11/87.</B052EP>
  <B051EP>fr</B051EP>
  <B052EP>Demande divisionnaire 92117411.6 déposée le
  06/11/87.</B052EP>
</B050EP>
```

<B053EP>: Additional remarks**Examples:**

```
<B053EP>Geänderte Patentansprüche gemäss Regel 137(2) EPÜ</B053EP>
```

```
<B053EP>Diese Anmeldung ist am 03 - 07 - 2004 als Teilanmeldung zu der
unter INID-Kode 62 erwähnten Anmeldung eingereicht worden.</B053EP>
```

```
<B053EP>This application was filed on 28 - 02 - 2002 as a divisional
application to the application mentioned under INID code 62.</B053EP>
```

```
<B053EP>A request for correction of the drawings has been filed pursuant
to Rule 139 EPC. A decision on the request will be taken during the
proceedings before the Examining Division (Guidelines for Examination in
the EPO, A-V, 3.).</B053EP>
```

```
<B053EP>Cette demande a été déposée le 27 - 07 - 2004 comme demande
divisionnaire de la demande mentionnée sous le code INID 62.</B053EP>
```

```
<B053EP>Le listage des séquences, qui est publié en annexe aux documents
de la demande, a été produit après la date de dépôt. Le demandeur a
déclaré qu'il ne contient pas d'éléments s'étendant au-delà du contenu de
la demande telle qu'elle a été déposée.</B053EP>
```


<B070EP>: B publication technical field (subsequently filed technical information)

Example:

```
<B070EP>The file contains technical information submitted after the  
application was filed and not included in this specification  
</B070EP>
```

<B075EP>: Petition for review

EPC2000: new procedure enabling any party to appeal proceedings adversely affected by the decision of the Board of Appeal to file a petition for review of the decision by the Enlarged Board of Appeal (EBA).

This information is only published when the decision is known.

| | |
|------------------------------------|--|
| <B0750EP review-number="Xnnnn/nn"> | Petition for review number (As we can have multiple petitions for review). Comprises a unique number for a given year, e.g. R0001/08 |
| <B0751EP> | Appeal number |
| <B0752EP> | Petitioner code |
| <B0753EP> | Date of notice of petition (May be included at a later date) |
| <B0755EP> | Date of decision |
| <B0756EP> | Kind of decision : R01 to R12 |

Board with 3 Members

R01: Petition for review obviously inadmissible (not deemed to be filed) or simultaneously obviously inadmissible and obviously unsubstantiated.

R02: Petition for review obviously unsubstantiated only.

[R03: free]

Board with 5 Members

R04: Petition for review inadmissible.

R05: Rejection of the petition for review.

R06: Petition for review allowed and re-opening of the Appeal Procedure with total refund of the fee for the petition for review.

R07: Petition for review allowed and re-opening of the Appeal Procedure with partial refund of the fee for the petition for review.

[R08: free]

Board with 3 or 5 Members

R09: Withdrawal of the petition for review.

R10: Petition for review deemed to be withdrawn.

R11: other kind of disposal.

[R12: free]

Example:

```
<B075EP>
  <B0750EP id="ep-chg0001" review-number="R0001/08">
    <B0751EP>T0621/03-3309</B0751EP>
    <B0752EP>APPR</B0752EP>
    <B0753EP><date>20080814</date></B0753EP>
    <B0755EP><date>20091014</date></B0755EP>
    <B0756EP>R06</B0756EP>
  </B0750EP>
  <B0750EP id="ep-chg0002" review-number="R0002/08">
    <B0751EP>T0638/01-3222</B0751EP>
    <B0752EP>OP01</B0752EP>
    <B0753EP><date>20080912</date></B0753EP>
    <B0755EP><date>20090606</date></B0755EP>
    <B0756EP>R01</B0756EP>
  </B0750EP>
</B075EP>
```

<B078EP>: Date of 'No opposition filed'

```
<B078EP>
  <date>yyyymmdd</date>
</B078EP>
```

<B080EP>: Public notification

```
<B080EP>
  <B081EP>Inspection place
    Code Meaning
    1   The Hague
    2   Munich
    3   Berlin
  </B081EP>
  <B082EP>Addressee
    <snm>Name</snm>
    <iid>EPO number</iid>
    <adr>Address
      <str>Street</str>
      <city>City, town</city>
      <ctry>Country code</ctry>
    </adr>
  </B082EP>
  <B083EP>Free text</B083EP>
</B080EP>
```

Example:

```
<B002EP>
  <ep-chg-info>
    <ep-chg idref="ep-chg0001" btag="B080EP" date="20041118"
      status="n"/>
  </ep-chg-info>
</B002EP>

<B080EP id="ep-chg0001">
  <B081EP>1</B081EP>
  <B082EP>
    <snm>Amlang Pierre</snm>
    <iid>04941760</iid>
    <adr>
      <str>Teutoburger Strasse 186</str>
      <city>46119 Oberhausen</city>
      <ctry>DE</ctry>
    </adr>
  </B082EP>
  <B083EP>MITTEILUNG NACH REGEL 85A(1) EPÜ (EPA FORM 1135 VON
    20/10/04)</B083EP>
</B080EP>
```

<B090EP>: Limitation procedure

EPC 2000 Phase 2 and 3 a)

Under EPC 2000, the proprietor of the patent can request a limitation of the scope of the patent (claims). They can do this more than once. The request can be made during the opposition period as well as after it.

EPC Article 105a - Request for limitation or revocation

(1) At the request of the proprietor, the European patent may be revoked or be limited by an amendment of the claims. The request shall be filed with the European Patent Office in accordance with the Implementing Regulations. It shall not be deemed to have been filed until the limitation or revocation fee has been paid.

(2) The request may not be filed while opposition proceedings in respect of the European patent are pending.

Note: In the EPO the description and drawings may also change as well as the claims.

XML/DTD:

Firstly, the main grouping tag which groups the, possible, different sequence of events:

```
<!ELEMENT B090EP (B0900EP+) >
```

Secondly, the sub-grouping tag which groups the, possible, different sequence of tags within that event (filing, rejection and allowed):

```
<!ELEMENT B0900EP (B091EP+, B092EP?,B093EP?)>
```

```
<!ATTLIST B0900EP
    limitation-sequence CDATA #REQUIRED
    id ID #IMPLIED
    lang CDATA #IMPLIED
    begin-date CDATA #IMPLIED
    end-date CDATA #IMPLIED >
```

```
<!ELEMENT B091EP (B0911EP,B0912EP?,B0913EP?,B0914EP?) >
```

```
<!ATTLIST B091EP
    id ID #IMPLIED >
```

<B091EP>: Limitation procedure - Initial filing

EPC 2000 Phase 2

XML/DTD

```
<!ELEMENT B091EP (B0911EP,B0912EP?,B0913EP?,B0914EP?) >
```

```
<!ATTLIST B091EP
          id ID #IMPLIED >
```

| XML | Description | EPASYS |
|---|--|--------|
| <B0900EP limitation- sequence> - see above | Limitation sequence number | LIMP07 |
| <B0911EP><date> | Date of filing | LIMP01 |
| <B0912EP> | Limitation kind: 01 = filed during opposition period (9 months) 02 = filed after opposition period (9 months) | LIMP02 |
| <B0913EP> | Decision code: 01 = admissible 02 = inadmissible 03 = deemed not filed 04 = deemed not filed, opposition pending/filed 05 = withdrawn | LIMP03 |
| <B0914EP><date> | Date of payment | LIMP04 |

XML/DTD:

```
<!ELEMENT B091EP (B0911EP,B0912EP?,B0913EP?,B0914EP?) >
```

```
<!ATTLIST B091EP
          id ID #IMPLIED >
```

```

    <!ELEMENT B0911EP (date) >
    <!ELEMENT B0912EP (#PCDATA)>
    <!ELEMENT B0913EP (#PCDATA) >
    <!ELEMENT B0914EP (date) >
```

Example

```
<B090EP>
  <B0900EP limitation-sequence="1">
    <B091EP>
      <B0911EP><date>20080914</date></B0911EP>
      <B0912EP>01</B0912EP>
      <B0913EP>01</B0913EP>
    </B091EP>
  </B0900EP>
  <B0900EP limitation-sequence="2">
    <B091EP>
      <B0911EP><date>20081009</date></B0911EP>
      <B0912EP>01</B0912EP>
      <B0913EP>01</B0913EP>
    </B091EP>
  </B0900EP>
</B090EP>
```

Notes:

- § The limitation will be present in the EBD file **after** the decision is known not as soon as a request for limitation has been filed.
- § Any change will be indicated at the <B091EP> level.

<B092EP>: Limitation procedure - Rejection of limitation fields

Implementation EPC 2000 Phase 3 a)

XML/DTD:

```

<!ELEMENT B092EP (B0921EP,B0922EP,B0923EP?) >
<!ATTLIST B092EP
            id      CDATA      #IMPLIED      >
    <!ELEMENT B0921EP (#PCDATA)>
    <!ELEMENT B0922EP (date) >
    <!ELEMENT B0923EP (date) >

```

| XML | Description | EPASYS |
|-----------------|---|--------|
| <B092EP> | Rejection of limitation | |
| <B0921EP> | Kind of rejection: 01 = substantive refusal 02 = inadmissible for formal reasons (R.94) 03 = no (late) reply to subset report 04 = RALL (request allowed) requirements not fulfilled | REJL01 |
| <B0922EP><date> | Decision despatched on | REJL02 |
| <B0923EP><date> | Legal effect on | REJL03 |

Example:

```

<B092EP>
  <B0921EP>02</B0921EP>
  <B0922EP><date>20080612</date></B0922EP>
  <B0923EP><date>20090808</date></B0923EP>
</B092EP>

```


<B093EP>: Limitation procedure - Limitation request allowed fields

Implementation EPC 2000 Phase 3 a)

XML/DTD:

```

<!ELEMENT B093EP (B0931EP,B0932EP?,B0933EP?) >
<!ATTLIST B093EP
            id      CDATA      #IMPLIED
            <!ELEMENT B0931EP (date) >
            <!ELEMENT B0932EP (date) >
            <!ELEMENT B0933EP (date) >

```

| XML | Description | EPASYS |
|-----------------|--------------------------|--------|
| <B093EP> | Request allowed | |
| <B0931EP><date> | Despatched on | RALL01 |
| <B0932EP><date> | Translation received on | RALL02 |
| <B0933EP><date> | Full payment received on | RALL03 |

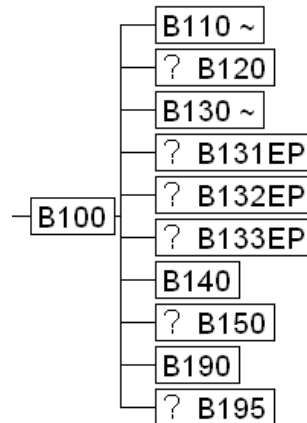
Example:

```

<B093EP>
  <B0931EP><date>yyyymmdd</date></B0931EP>
  <B0932EP><date>yyyymmdd</date></B0932EP>
  <B0933EP><date>yyyymmdd</date></B0933EP>
</B093EP>

```

When the request is accepted, the result will be a **new B3-publication**.

<B100>: Document identification**<B110>: Publication number of the document (EPO or WIPO)**

<B110>1118543</B110> - EPO number

<B110>2003043537</B110> - WIPO number

<B120>: Plain language designation

Containing tags: <B121> and <B121EP>

```
<B120>
  <B121>Plain language designation of the kind of document</B121>
  <B121EP>Descriptive text for B121 (EPO)</B121EP>
</B120>
```

The language depends on contents of tag <'B260> - publication language - e.g. for code 'en' tag <B121> will contain 'EUROPEAN PATENT APPLICATION'

Examples:

For A documents

```
<B120><B121>EUROPEAN PATENT APPLICATION</B121></B120>
<B120><B121>EUROPEAN PATENT APPLICATION</B121>
  <B121EP>published in accordance with Art. 153(4) EPC</B121EP>
</B120>
```

Note: previously Article 158(3) - pre EPC 2000

```
<B120><B121>EUROPÄISCHE PATENTANMELDUNG</B121></B120>
<B120><B121>DEMANDE DE BREVET EUROPEEN</B121></B120>
```

For B documents

```
<B120><B121>EUROPEAN PATENT SPECIFICATION</B121></B120>
<B120><B121>EUROPÄISCHE PATENTSCHRIFT</B121></B120>
<B120><B121>FASCICULE DE BREVET EUROPEEN</B121></B120>
```

New for EPC 2000

For B2:

```
<B120><B121>NEW EUROPEAN PATENT SPECIFICATION</B121></B120>
<B121EP>After opposition procedure</B121EP>
<B120><B121>NEUE EUROPÄISCHE PATENTSCHRIFT</B121></B120>
<B121EP>Nach dem Einspruchsverfahren</B121EP>
<B120><B121>NOUVEAU FASCICULE DE BREVET EUROPEEN</B121></B120>
<B121EP>Après la procédure d'opposition</B121EP>
```

For B3

<B121>NEW EUROPEAN PATENT SPECIFICATION</B121>
<B121EP>After limitation procedure (B3-1)</B121EP>

<B121>NEUE EUROPÄISCHE PATENTSCHRIFT</B121>
<B121EP>Nach dem Beschränkungsverfahren(B3-1)</B121EP>

<B121>NOUVEAU FASCICULE DE BREVET EUROPEEN</B121>
<B121EP>Après la procédure de limitation (B3-1)</B121EP>

<B130>: Kind of document

The values used by the EPO are:

- A1 Application published with search report
- A2 Application published without search report
- A3 Separate publication of the search report

- A8 Correction - reprint of the title page of an A-document
- A9 Correction - complete reprint of an A-document

- B1 Granted patent
- B2 Amended granted patent after opposition procedure
- B3 Amended granted patent after limitation procedure

- B8 Correction - reprint of the title page of a B-document
- B9 Correction - complete reprint of a B-document

<B132EP>: Original kind code

```
<!ELEMENT B132EP (#PCDATA) >
<!ATTLIST B132EP
            sequence CDATA #IMPLIED >
```

The values used by the EPO are:

- A1 Application published with search report
- A2 Application published without search report
- A3 Separate publication of the search report

- B1 Granted patent
- B2 Amended granted patent after opposition procedure
- B3 Amended granted patent after limitation procedure

Only used within correction files (status="c"). See also <B150> for examples.

Examples:

```
<ep-bulletin id="EP02075796A9W1" file="02075796.9" lang="en" country="EP"
doc-number="1217438" kind="A9" correction-code="W1" date-publ="20050105"
status="c" dtd-version="ep-bulletin-v1-1">
...
<B130>A9</B130>
<B132EP>A2</B132EP>
...
<B150>
    <B151>W1</B151>
    <B155>
```

```

    <B1551>de</B1551>
    <B1552>Beschreibung</B1552>
    <B1551>en</B1551>
    <B1552>Description</B1552>
    <B1551>fr</B1551>
    <B1552>Description</B1552>
  </B155>
</B150>

```

For a corrected B3:

```

<B130>B9</B130>
<B132EP sequence="1">B3</B132EP>

```

<B133EP>: New kind code

The values used by the EPO are:

A1 Application published with search report
 A2 Application published without search report
 A3 Separate publication of the search report

B1 Granted patent
 B2 Amended granted patent after opposition procedure
 B3 Amended granted patent after limitation procedure

Only used within correction files (status="c"). See <B150> for examples.

<B140>: Date of publication

```

<B140><date>20050105</date></B140>

```

<B150>: Patent correction information

```

<B150>
  <B151>Supplementary correction code
    The values used by the EPO are:
    DL - Deletion (cancellation) of a previously announced
    correction
    YF - Replacement of electronic file (no reprint will be
    made, only electronic data is changed)
    Wn - Reprint required - n = the Nth reprint.
  </B151>
  <B152>
    <date>Issue date of announced correction being
    cancelled</date>
  </B152>
  <B153>Affected INID codes</B153>
  <B154>Standard notes
    <B1541>Note language</B1541>
    <B1542>Note text</B1542>
  </B154>
  <B155>Affected parts of document

```

```
        <B1551>Part language</B1551>
        <B1552>Part text</B1552>
    </B155>
</B150>
```

Example of XML markup for a title page reprint.

This is an example where the kind code for the publication has been changed from the original publication (A1) to the corrected publication (A2).

```

<ep-bulletin id="EP1217438A8W1" file="02075796.9" lang="en" country="EP" doc-
number="1217438" kind="A8" correction-code="W1" date-publ="20050105" status="c" dtd-
version="ep-bulletin-v1-1">
<SDOBI lang="en"
<B121>CORRECTED EUROPEAN PATENT APPLICATION</B121>
<B130>A8</B130>
<B132EP>A1</B132EP>
<B133EP>A2</B133EP>
<B150>
<B151>W1</B151>
<B153>11 13</B153>
<B154>
<B1541>de</B1541>
<B1542>Korrigierter Dokumentart-Code</B1542>
<B1541>en</B1541>
<B1542>Corrected Kind of Document code</B1542>
<B1541>fr</B1541>
<B1542>Code du type de document corrigé</B1542>
</B154>
<B155>
<B1551>de</B1551>
<B1552>Bibliographie</B1552>
<B1551>en</B1551>
<B1552>Bibliography</B1552>
<B1551>fr</B1551>
<B1552>Bibliographie</B1552>
</B155>
</B150>
<B210>02075796.9</B210>
<B430>
<date>20020626</date>
<bnum>200226</bnum>
</B430>
<B480>
<date>20050105</date>
<bnum>200501</bnum>
</B480>

```

Code of reprint (11/13)
Original kind code (15)
New kind code (15)
Correction information. (15)
Suppl. correction code. (15)
Affected INID codes. (15)
Standard notes. (15)
Language
Note text
Language
Note text
Language
Note text
Affected parts
Language
Part text
Language
Part text
Language
Part text
Application number (21)
Date of original publication. (43)
Bull. number where announced.
Corrigendum issued. (48)
Date of publication of correction.
Bull. number where announced.

Note. Italic numbers in brackets indicate the INID codes under which these items will appear on the title page.

A previously announced correction is being cancelled:

```
<ep-bulletin id="EP1217438A8DL" file="02075796.9" lang="de" country="EP"
doc-number="1217438" kind="A8" correction-code="DL" date-publ="20050105"
status="c" dtd-version="ep-bulletin-v1-3">
```

```
<SDOBI lang="de"
<B121>KORRIGIERTE EUROPÄISCHE PATENTANMELDUNG</B121>
<B130>A8</B130> Code of reprint (11/13)
<B132EP>A1</B132EP> Original kind code (15)
<B150> Correction information. (15)
<B151>DL</B151> Suppl. correction code. (15)
<B152><date>20041215</date></B152> Issue date of announced
correction being cancelled (15)

<B154> Standard notes. (15)
<B1541>de</B1541> Language
<B1542>Die für dieses Datum gemeldete Korrektur Note text
entfällt</B1542>

<B1541>en</B1541> Language
<B1542>The correction forseen for this date is Note text
cancelled</B1542>

<B1541>fr</B1541> Language
<B1542>La correction annoncée pour cette date est Note text
annulée</B1542>

</B154>
</B150>
<B210>02075796.9</B210> Application number (21)
<B430>
<date>20041215</date> Date of original publication. (43)
<bnum>200451</bnum> Bull. number where announced.
</B430>
<B480> Corrigendum issued. (48)
<date>20050105</date> Date of publication of correction.
<BNUM>200501</bnum> Bull. number where announced.
</B480>
```

XML markup for correction of electronic file only:

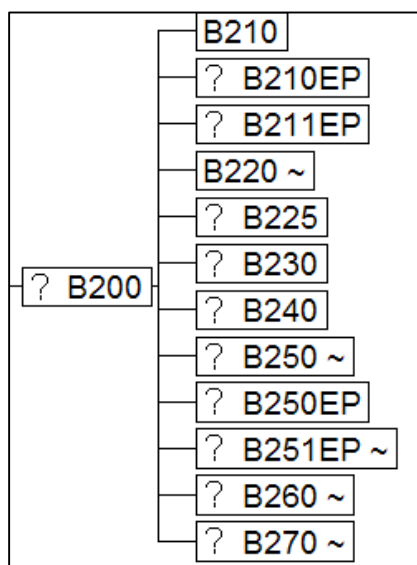
| | |
|--|---|
| <ep-bulletin id="EP1217439A9YF" file="01204776.7" lang="de" country="EP" doc-number="1217439" kind="A9" correction-code="YF" date-publ="20050105" status="c" dtd-version="ep-bulletin-v1-3"> | |
| <SDOBI lang="de"> | |
| <B121>KORRIGIERTE EUROPÄISCHE PATENTANMELDUNG</B121> | |
| <B130>A9</B130> | Code of reprint (<i>see the note below</i>) |
| <B132EP>A1</B132EP> | Original kind code (15) |
| <B150> | Correction information. (15) |
| <B151>YF</B151> | Suppl. correction code. (15) |
| <B210>01204776.7</B210> | Application number (21) |
| <B430> | |
| <date>20041215</date> | Date of original publication. (43) |
| <bnum>200451</bnum> | Bull. number where announced. |
| </B430> | |
| <B480> | Corrigendum issued. (48) |
| <date>20050105</date> | Date of publication of correction. |
| <BNUM>200501</bnum> | Bull. number where announced. |
| </B480> | |

Note: Although the code of reprint A9 is given, indicating a reprint of the entire document, the supplementary correction code YF indicates to the publisher that only the electronic file is to be reprocessed and no reprint done.

<B190>: Publishing country or organisation

Country or organisation which actually publishes the document. The values used by EPO are:

EP European Patent Office
WO WIPO

<B200>: Domestic filing data**<B210>: Application number**

Number assigned by the EPO or National Office when the application is first filed. The number is stored as eight digits plus a check code 'YYXXNNNN.P' where:
 YY = Year of application

Note: From 2000 it is 00, 01, etc care should be taken with any sort programs based on this number.

XX = Place of application; that is:

- 00 Online filing
- 10 Munich, EPO
- 20 The Hague, EPO (branch)
- 25 Berlin, EPO (sub-office)
- 30 Newport and London, The (UK) Patent Office
- 40 Paris, Institut national de la propriété industrielle (INPI)
- 41 Grenoble, INPI (regional office)
- 42 Lyon, INPI (regional office)
- 43 Marseille, INPI (regional office)
- 44 Strasbourg, INPI (regional office)
- 45 Bordeaux, INPI (regional office)
- 46 Rennes, INPI (regional office)
- 47 Nancy, INPI (regional office)
- 48 Nice, INPI (regional office)
- 49 Lille, INPI (regional office)
- 50 Madrid, Oficina Espanola de Patentes y Marcas
- 51 Barcelona (Autonomous Community Catalonia)
- 52 Seville (Autonomous Community Andalusia)
- 53 Tenerife (Autonomous Community Canary Islands)
- 54 Santiago de Compostela (Autonomous Community Galicia)
- 55 Pamplona (Autonomous Community Navarra)

- 56 Valencia (Autonomous Community Valencia)
- 57 Vitoria (Autonomous Community Basque Country)
- 60 Athens, Organismos Biomichanikis Idioktisis (OBI)
- 61 Taastrup, Patentdirektoratet
- 63 Luxembourg, Service de la propriété intellectuelle (Ministère de l'économie et des classes moyennes)
- 64 Monaco, Direction du Commerce, de l'Industrie et de la Propriété Industrielle
- 65 Dublin, The (Irish) Patents Office
- 67 Lisbon, Instituto Nacional da Propriedade Industrial (INPI)
- 71 Munich, Deutsches Patentamt (DPA)
- 72 The Hague, Octrooiraad
- 73 Berlin, DPA (Berlin Annex)
- 81 Berne, Bundesamt für geistiges Eigentum (BAGE)
- 83 Rome, Ufficio Centrale Brevetti
- 85 Stockholm, Kungl. Patent- och registreringsverket
- 87 Brussels, Service de la propriété industrielle et commerciale (Ministère des affaires économiques)
- 89 Vienna, Österreichisches Patentamt

NNNN = Number

P = Check digit : calculated according to Modulus 10 - calculations detect single transpositions and incorrect keying of a single digit. The calculation is performed as follows:

The units position and every alternate position of the basic number is multiplied by 2. The digits resulting from the multiplication are added to those that were not multiplied. The total is subtracted from the next higher number ending with zero. The result is the check digit.

EP application number : 03789660.2

| | | | | | | | | |
|---|---|---|---|---|---|---|---|------------|
| 0 | 3 | 7 | 8 | 9 | 6 | 6 | 0 | (base) |
| x | x | x | x | x | x | x | x | (multiply) |
| 1 | 2 | 1 | 2 | 1 | 2 | 1 | 2 | (by) |

0 6 7 16 9 12 6 0

Add every digit separately (i.e. 16 has to be added as 1+6):

$0 + 6 + 7 + 1 + 6 + 9 + 1 + 2 + 6 + 0 = 38$

Divide 38 : 10 = 3 and the remainder is 8

Subtract 10 - 8 = 2 check digit

Also a **root element** attribute:

```
<ep-bulletin id="EP03789660A1" file="03789660.2" lang="en" country="EP"
doc-number="1826796" kind="A1" date-publ="20070829" status="n" dtd-
version="ep-bulletin-v1-3">
```

<B220>: Application filing date

```
<B220>
  <date>20000417</date>
</B220>
```

(Similar construct for the following data elements).

<B235>: Date of refusal of application**<B236>: Date of withdrawal of application****<B237>: Date of application deemed withdrawn****<B238EP>: Date of receipt of request for re-establishment of rights****<B238>: Date of decision for re-establishment of rights**

Note: Used together with tag <B004EP>

<B239>: Date of revocation

When a patent is revoked our Patent Administration System delivers only the actual legal date of effect of the revocation which will be stored and marked up as follows:

```
<ep-bulletin . . . status="r" >
<SDOBI lang="de">
. . .
<B002EP>
  <ep-chg-info>
    <ep-chg idref="ep-chg0001" btag="B239" date="20060104"
status="n"/>
  </ep-chg-info>
</B002EP>
. . .
<B239 id="ep-chg0001">
<date>20060218</date>
</B239>
```

<B241>: Date of request for examination**<B242>: Date of despatch of the first examination report****<B243>: Date of 'patent maintained as amended'**

<B244>: Request for conversion (to national application) under EPC Art. 135

```
<B244>
  <date>Date of the request for conversion to national
  application</date>
  <ctry>Country code (States concerned)</ctry>
</B244>
```

Example:

```
<B244>
  <date>19940221</date>
  <ctry>DE</ctry>
  <ctry>ES</ctry>
  <ctry>IT</ctry>
</B244>
```

<B245>: Date of suspension (Rule 14) / Interruption (Rule 142) of proceedings

Note: Used together with tag <B245EP>

<B245EP>: Suspension/Interruption indicator

Indicates the type of suspension or Interruption. The values used by EPO are, according to EPC rules (old EPC: Rules 13 and 90):

- 1 Suspension (Rule 14)
- 2 Applicant died (Rule 142(1)(a))
- 3 Legal incapacity of applicant (Rule 142(1)(a))
- 4 Legal prevention (Rule 142(1)(b))
- 5 Representative died (Rule 142(1)(c))
- 6 Legal incapacity of representative (Rule 142(1)(c))
- 7 Bankruptcy of the file representative (Rule 142(1)(c))

Examples:

1. Date of suspension (Rule 14) :

```
<B245>
  <date>19880916</date>
</B245>
<B245EP>1</B245EP>
```

2. Date of interruption (Rule 142) :

```
<B245>
  <date>19880916</date>
</B245>
<B245EP>2</B245EP>
```

Note: Used together with tag <B245> and/or <B246>

<B246>: Date of resumption of proceedings (Rule 14 / Rule 142)

(Old EPC: Rules 13 and 90)

Examples:

1. Date of resumption (Rule 14) :

```
<B245EP>1<B245EP>
<B246>
    <date>19890916</date>
</B246>
```

2. Date of resumption (Rule 142)

```
<B245EP>2</B245EP>
<B246>
    <date>19890916</date>
</B246>
```

Note: Used together with tag <B245> and/or <B246>

<B250>: Filing language

It contains the language code in which the application was originally filed e.g:

| | |
|----|----------|
| de | German |
| en | English |
| fr | French |
| ja | Japanese |
| | etc. |

<B251EP>: Procedure language

Content: en, fr or de

Note: Under EPC Article 14, (3): The official language of the European Patent Office in which the European patent application is filed or into which it is translated shall be used as the language of the proceedings in all proceedings before the European Patent Office, unless the Implementing Regulations provide otherwise.

<B260>: Publication language

Language in which the Application/Patent has to be published. Currently, EPO uses the following languages:

- fr French
- en English
- de German

Also a **root element attribute**:

```
<ep-bulletin id="EP00100102A2" file="00100102.3" lang="en"  
country="EP" doc-number="1018688" kind="A2" date-publ="20050105"  
status="r" dtd-version="ep-bulletin-v1-3">
```


<B270>: Previously filed application

EPC 2000 Phase 3 a)

This relates to new INID code (27) under WIPO ST.9; where the provisional wording is:

Reference to a previously filed application for the purposes of obtaining a filing date under the Patent Law Treaty (PLT) Article 5(7).

which states:

(7) [Replacing Description and Drawings by Reference to a Previously Filed Application]

(a) Subject to the requirements prescribed in the Regulations, a reference, made upon the filing of the application, in a language accepted by the Office, to a previously filed application shall, for the purposes of the filing date of the application, replace the description and any drawings.

(b) Where the requirements referred to in subparagraph (a) are not complied with, the application may be deemed not to have been filed. Where the application is deemed not to have been filed, the Office shall notify the applicant accordingly, indicating the reasons therefor.

EPO definition from requirements: The applicant may file "by reference to a previously filed application". This means, rather than filing the text of a new EP application, the applicant refers to the description, any drawings, and potentially claims of that previously filed application. Such reference to date/state/number of the previously filed application is enough for obtaining a date of filing for the new EP application. The applicant then has two months from the date of filing for filing the actual text of that EP application, in the form of a certified copy of the earlier application. If not filed, it may still be filed within two months from an EPO invitation (is dispensed with in cases where the previously filed application is available to the EPO). Otherwise the application will not be dealt with as a European patent application. The bibliography of the previously filed application (like its date of filing, any priority claim etc.) is of no relevance to the new EP application, nor is its date of filing taken as the basis for the calculation of time limits (unless this previously filed application is also claimed as a priority, which is possible, and will continue to be recorded as such).

EPC Rule 40 - Date of Filing:

(1) (c) a description or reference to a previously filed application.

(2) A reference to a previously filed application under paragraph 1(c) shall state the filing date and number of that application and the Office with which it was filed. Such reference shall indicate that it replaces the description and any drawings.

XML/DTD

```
<!ELEMENT B270 (dnum,date,ctry,kind?,dtxt*) >
```

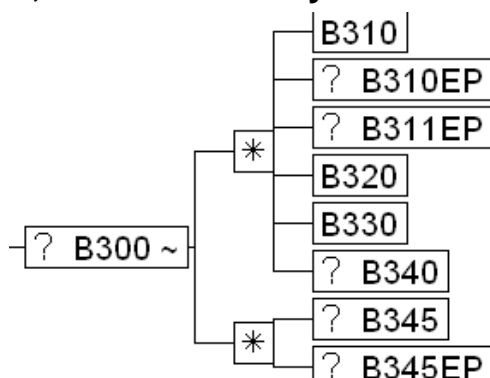
```
<!ATTLIST B270
      id ID #IMPLIED >
```

| XML | Definition | EPASYS |
|------------|----------------------------|---------------|
| <dnum> | Earlier application number | EAPP01 |
| <date> | Date of filing of above | EAPP02 |
| <ctry> | Filing office of above | EAPP03 |

kind and dtxt not used by EPO.

Example:

```
<B270>
  <dnum><anum>2000131865</anum></dnum>
  <date>20040228</date>
  <ctry>JP</ctry>
</B270>
```

<B300>, <B310>, <B320>, <B330>: Priority data

(30) Data relating to priority under the Paris Convention

(31) Number(s) assigned to priority application(s)

(32) Date(s) of filing of priority application(s)

(33) WIPO Standard ST.3 code identifying the national industrial property office allotting the priority application number or the organization allotting the regional priority application number; for international applications filed under the PCT, the code "WO" is to be used

```

<B300>
  <B310>Number</B310>
  <B320>
    <date>Date</date>
  </B320>
  <B330>
    <ctry>Country in which the priority application was
filed</ctry>
  </B330>
</B300>
  
```

- For a PCT priority the tag <B330> contains the code WO and the format of the priority number, <B310>, is PCT/xyyy/n where:

```

xx   Original country
yy   Year
n    Variable length priority number
  
```

- There is no tag to mark the beginning of the repeatable group for tags <B310>, <B320> and <B330>. However these tags are always presented in the same sequence.
- In respect to year 2000 compliance the EPO generally relies on the priority number - <B310> - given by the issuing office which may or may not be year 2000 compliant.

Examples

Example for priority data:

```

<B300>
  <B310>14534299</B310>
  
```

```
<B320><date>19990525</date> </B320>
<B330><ctry>JP</ctry></B330>
<B310>PCT/JP00/02045</B310>
<B320><date>20000330</date></B320>
<B330><ctry>WO</ctry></B330>
</B300>
```

Example for change on priority data:

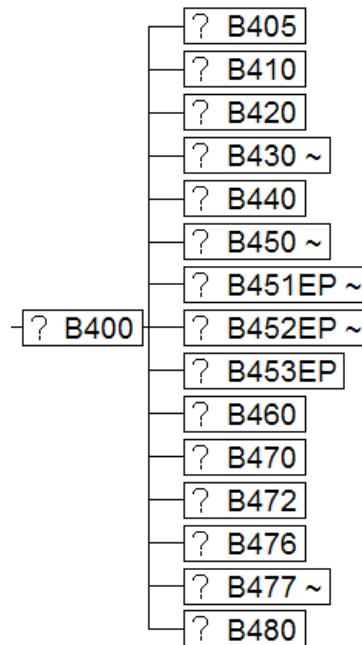
```
<B002EP>
  <ep-chg-info>
    <ep-chg idref="ep-chg0001" btag="B300" date="20041112"
status="r"/>
  </ep-chg-info>
</B002EP>

<B300 id="ep-chg0001">
  <B310>0350215</B310>
  <B320>
    <date>20030612</date>
  </B320>
  <B330>
    <ctry>FR</ctry>
  </B330>
  <B310>0350215</B310>
  <B320>
    <date>20030612</date>
  </B320>
  <B330>
    <ctry>FR</ctry>
  </B330>
</B300>
```

Example for deletion of priority data:

```
<B002EP>
  <ep-chg-info>
    <ep-chg idref="ep-chg0001" btag="B300" date="20041117"
status="d"/>
  </ep-chg-info>
</B002EP>

<B300 id="ep-chg0001"></B300>
```

<B400>: Public availability dates**<B405>: Patent Bulletin / Gazette information**

```

<B405>
  <date>Publication date</date>
  <bnum>Issue number of the Bulletin</bnum>
</B405>

```

Date when the EPO Bulletin is actually published and the corresponding issue number.

Example:

```

<B405>
  <date>20050105</date>
  <bnum>200501</bnum>
</B405>

```

<B430>: Unexamined document without grant (first publication)

(43) Date of making available to the public by printing or similar process of an unexamined patent document, on which no grant has taken place on or before the said date

```
<B430>
  <date>Publication date</date>
  <bnum>Issue number of the Bulletin</bnum>
</B430>
```

Date of publication of application (A1, A2) and issue number of the EPO Bulletin in which the first publication of the application is mentioned.

Example:

```
<B430>
  <date>19940302</date>
  <bnum>199409</bnum>
</B430>
```

The publication date is also a **root element attribute**:

```
<ep-bulletin id="EP00100102A2" file="00100102.3" lang="en" country="EP"
doc-number="1018688" kind="A2" date-publ="20050105" status="r" dtd-
version="ep-bulletin-v1-1">
```

<B450>: Document with grant (second publication)

(45) Date of making available to the public by printing or similar process of a patent document on which grant has taken place on or before the said date

```
<B450>
  <date>Publication date</date>
  <bnum>Issue number of the Bulletin</bnum>
</B450>
```

Date of publication of specification (B1) and the issue of the EPO Bulletin in which the mention of the grant is published.

The publication date is also a **root element attribute**:

```
<ep-bulletin id="EP00000001B1" file="00000001.8" lang="de" country="EP"
doc-number="1118543" kind="B1" date-publ="20050105" status="r" dtd-
version="ep-bulletin-v1-1">
```

<B451EP>: Date of announcement of intention to grant

Date of announcement of intention to grant a patent.

<B452EP>: Date of announcement of intention to grant (after 01.07.2002)

Date of announcement of intention to grant a patent. (Communication pursuant to Rule 51(4) EPC after 01.07.2002; Rule 71(3) EPC 2000)

<B453EP>: Limitation decision**EPC 2000 Phase 3 b)**

For publication (and XML placement): existing INID code (45) will be used with the title: "Date of publication and mention of the limitation decision:"

XML/DTD:

```
<!ELEMENT B453EP (B4530EP+) >
  <!ELEMENT B4530EP (kind,date,bnum) >
  <!ATTLIST B4530EP
            id ID #IMPLIED
            sequence CDATA #IMPLIED
            limitation-sequence CDATA #IMPLIED >
```

Note: limitation-sequence relates to the number in <B090EP>.

Example:

```
<B453EP>
  <!-- First B3 -->
  <B4530EP id="ep-chg0001" sequence="1" limitation-sequence="1">
    <kind>B3</kind>
    <date>20080102</date>
    <bnum>200801</bnum>
  </B4530EP>
  <!-- Second B3 -->
  <B4530EP sequence="2" limitation-sequence="2">
    <kind>B3</kind>
    <date>20080305</date>
    <bnum>200810</bnum>
  </B4530EP>
</B453EP>
```

<B472>, <B475>: Term of grant, lapse

```
<B472>
  <B475>Lapse of a patent
    <date>Date of lapse</date>
    <ctry>Country code</ctry>
  </B475>
</B472>
```

In the EBD file this data can take two formats, depending on the time the record was created, for the back file there is, generally, no change tag,

Example:

```
<B472>
  <B475>
    <date>20030805</date>
    <ctry>AT</ctry>
    <date>20030831</date>
    <ctry>CH</ctry>
    <date>20030831</date>
    <ctry>LI</ctry>
    <date>20030705</date>
    <ctry>DE</ctry>
    <date>20040430</date>
    <ctry>FR</ctry>
  </B475>
</B472>
```

Example for new lapse of a patent:

```
<B002EP>
  <ep-chg-info>
    <ep-chg idref="ep-chg0001" btag="B475" date="20041118"
status="n"/>
  </ep-chg-info>
</B002EP>

<B472>
  <B475 id="ep-chg0001">
    <date>20040310</date>
    <ctry>AT</ctry>
    <date>20040310</date>
    <ctry>BE</ctry>
    <date>20040310</date>
    <ctry>CH</ctry>
  </B475>
</B472>
```


<B477>: Document printed as amended, third level of publication (e.g. EPO 'B2')

```
<B477>
  <date>Publication date</date>
  <bnum>Issue number of the Bulletin</bnum>
</B477>
```

```
<B477>
  <date>20020821</date>
  <bnum>200234</bnum>
</B477>
```

Date of publication (B2) and issue number of the EPO Bulletin in which the mention of the document printed as amended is published.

The publication date is also a **root element attribute**:

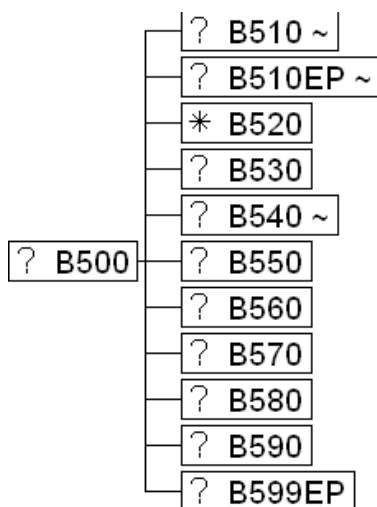
```
<ep-bulletin id="EP90907061B2" file="90907061.7" lang="de" country="EP"
doc-number="0472565" kind="B2" date-publ="20050105" status="r" dtd-
version="ep-bulletin-v1-1">
```

<B480>: Corrigendum issued data

(48) Date of issuance of a corrected patent document

```
<B480>
  <date>Date of publication of correction</date>
  <bnum>Bulletin number where announced</bnum>
</B480>
```

See tag <B150> for examples.

<B500>: Technical Data**<B510>: International Patent Classification (IPC)**

Note: This coding will no longer be used in the XML files after publication week 52-2005 but instead the IPC coding will be stored in tag B510EP.

```

<B510>
  <B516>      Will contain "version" edition statement indicator 8
              or, for earlier files 7, etc
  <B511>      First information
  <B512>      Inventive classification would be B511 & B512
  <B513>      Non inventive classification
  <B514>      "
  <B515>      "
  <B517EP>    Non-obligatory suppl. class. - no longer used in
              IPCR - but for changes to any old files it may be
              present
</B510>
  
```

Example:

```

<B510>
  <B516>8
  <B511> 8B 60R 13/08 A
  <B512> 8C 08J 9/00 B
  <B512> 8C 08J 9/10 B
  <B513> 8C 08L 51/06 -
</B510>
  
```

IMPORTANT NOTES:

- There is no "edition" 8 in the new WIPO ST.8; therefore we will not have, for example, Int. CL.8 printed on the title page of EP patents, but for consistency with current (pre-2006) processing we will keep this number, for all practical purposes it is 8 and indicated as such to EPO examiners in the guide to the new IPC.
- Tag B510 will be used to store the IPC coding until the publication week 52-2005. From publication week 01-2006, we will only use tag **B510EP** for the new (IPCR) coding (see details in the following pages).
- Back file data will NOT be changed to B510EP because it is published data in the public domain

<B510EP>: International Patent Classification (IPCR – in force 01-2006)

The new WIPO ST.8 standard (see: <http://www.wipo.int/scit/en/standards/pdf/03-08-01.pdf>) states:

Industrial property offices are asked to implement this new version of Standard ST.8 for all patent documents with a publication date from January 1, 2006, onwards. For patent documents published prior to that date, the previous version of the Standard should continue to be used.

This recording convention provides that symbols of the International Patent Classification (IPC) should be presented on machine-readable records for the exchange of information in machine-readable form in a fixed-length field in 50 positions, each part of the Int. Cl. symbol being recorded in specific positions and in the manner prescribed.

...

A schematic representation of the contents of the 50 positions is as follows:

| | | | | | | | | | | | | | | | | | | | |
|---------|-------|---|---|----------|------------|---|---|---|----------------------|----------|----|----|----|----|--------|----|----|----|----|
| Section | Class | | | Subclass | Main Group | | | | Separating character | Subgroup | | | | | Blanks | | | | |
| | 1 | 2 | 3 | 4 | 5 | 6 | 7 | 8 | 9 | 10 | 11 | 12 | 13 | 14 | 15 | 16 | 17 | 18 | 19 |
| | | | | | | | | | | | | | | | | | | | |

| | | | | | | | | | | | | | | | | | | |
|-------------------|----|----|----|----|----|----|----|----------------------|-------------------------------------|----------------------|-------------|----|----|----|----|----|----|----|
| Version indicator | | | | | | | | Classification level | First or later position of a symbol | Classification value | Action date | | | | | | | |
| 20 | 21 | 22 | 23 | 24 | 25 | 26 | 27 | 28 | 29 | 30 | 31 | 32 | 33 | 34 | 35 | 36 | 37 | 38 |
| | | | | | | | | | | | | | | | | | | |

| | | | | | | | | | | | |
|-------------------------------|-------------------------------|-------------------|----|--------|----|----|----|----|----|----|----|
| Original or reclassified data | Source of classification data | Generating office | | Blanks | | | | | | | |
| 39 | 40 | 41 | 42 | 43 | 44 | 45 | 46 | 47 | 48 | 49 | 50 |
| | | | | | | | | | | | |

As can be seen from the section of the DTD printed below each part has been assigned an element name; for example: <generating-office>

```
<!ELEMENT B510EP (classification-ipcr+)>
```

<B510EP> contains <classification-ipcr> which in turns contains all the new tags for each part of the classification **or** it can be stored in a fixed length field of 50 positions within the <text> data element.

```
<!ELEMENT classification-ipcr ((section , class , subclass , main-group?
, subgroup? , ipc-version-indicator , classification-level? , symbol-
position? , classification-value? , action-date? , classification-status?
, classification-data-source?, generating-office?) | text)>
```

This can also be represented by the following table:

| Position(s) | Content | Values | ST.36 (XML) |
|-------------|---|-------------------------|----------------------------------|
| 1 | Section | A-H | <section> |
| 23 | Class | 01...99 | <class> |
| 4 | Subclass | A...Z | <subclass> |
| 5 to 8 | Main Group (right aligned) | 1...9999, blank | <main-group> |
| 9 | Separating character | / ("Slash") | |
| 10 to 15 | Subgroup (left aligned) | 00...999999 blank | <subgroup> |
| 16 to 19 | For future use | 4 blanks | |
| 20 to 27 | Version indicator | YYYYMMDD date format | <ipc-version- indicator> |
| 28 | Classification level | C, A, S | <classification-level> |
| 29 | First or later position of symbol | F, L | <symbol-position> |
| 30 | Classification value (inventive or non-inventive) | I, N | <classification-value> |
| 31 to 38 | Action date | YYYYMMDD date format | <action-date> <date> |
| 39 | Original or reclassified data | BRVD | <classification- status> |
| 40 | Source of classification data | H M G | <classification-data- source> |
| 41-42 | Generating office | AA ZZ (ST.3) | <generating-office> <country> |
| 43-50 | For future use | 8 blanks | |

To mark up this data with each part coded is very heavy mark up; for example:

```
<B510EP>
  <classification-ipcr sequence="1">
    <section>C</section>
    <class>22</class>
    <subclass>C</subclass>
    <main-group>1</main-group>
    <subgroup>02</subgroup>
    <ipc-version-indicator>20050101</ipc-version-indicator>
    <classification-level>A</classification-level>
    <symbol-position>F</symbol-position>
    <classification-value>I</classification-value>
    <action-date>20050105</action-date>
    <classification-status>B</classification-status>
    <classification-data-source>H</classification-data-source>
    <generating-office>EP</generating-office>
  </classification-ipcr>
</B510EP>
```

This is for **one** classification of, on average, 2 or 3 classifications for an EP document. We will, therefore, capture the new IPC as **one fixed length field of 50 positions** conforming to the new IPC (see above); for example (this example taken from WIPO ST.8):

```
<B510EP>
  <classification-ipcr sequence="1">
    <text>B28B 5/00 20060101AFI20070601BHEP </text>
  </classification-ipcr>
</B510EP>
```

Because the field is always fixed length rendering for display, page layout etc. should be straightforward.

Before contacting the EPO about the meaning and interpretation of the new IPC please refer to the tables above and new WIPO ST.8 (<http://www.wipo.int/scit/en/standards/pdf/03-08-01.pdf>)

Example:

```
<B510EP>
<classification-ipcr sequence="1">
<text>C09D 151/00 20000101AFI20060104BHEP </text>
</classification-ipcr>
<classification-ipcr sequence="2">
<text>C08F 265/06 20000101ALI20060104BHEP </text>
</classification-ipcr>
<classification-ipcr sequence="3">
<text>C09D 5/02 20000101ALI20060104BHEP </text>
</classification-ipcr>
<classification-ipcr sequence="4">
<text>C09D 175/04 20000101ALI20060104BHEP </text>
</classification-ipcr>
</B510EP>
```

Note: the spaces or blanks (which are important) are coded in UTF-8 as 0020 (space).

Corrections and changes to previous publications using earlier versions of the IPC

For several months and, probably, years the EPO will be processing data coded to previous versions (editions) of the IPC - for the front file (01.2006 on) we will use the 50 position IPCR in all cases and positions 20 to 27 - the version indicator date - will contain the date of creation of the IPC as held in the EPO database. This could, of course, be well before 2006.

In some cases it may not be possible to determine the version indicator date because the classification is no longer valid in such cases the value of the version indicator date will be set to eight zeros: 00000000, example:

```
<B510EP>
<classification-ipcr sequence="1">
<text>H05K 1/05 00000000AFI20060104BHEP </text>
</classification-ipcr>
</B510EP>
```

For information:

The publication of the new IPC on the title page of EP patent documents will be similar to the layout below:

(51) Int. Cl.:
C07D 231/56 (2006.01) **C07D 417/12 (2006.01)**
C07D 401/04 (2006.01) C07D 409/14 (2006.01)
C07D 401/06 (2006.01) C07D 409/12 (2006.01)

<B540>: Title

```
<B540>
  <B541>de</B541>
  <B542>German title</B542>
  <B541>en</B541>
  <B542>English title</B542>
  <B541>fr</B541>
  <B542>French title</B542>
</B540>
```

Example:

```
<B540>
  <B541>de</B541>
  <B542>Verschluss für einen Sicherheitsbehälter</B542>
  <B541>en</B541>
  <B542>Closure for a security box</B542>
  <B541>fr</B541>
  <B542>Dispositif de fermeture pour une boîte de sécurité</B542>
</B540>
```

Example for change on German title:

```
<B002EP>
  <ep-chg-info>
    <ep-chg idref="ep-chg0001" btag="B542" date="20041115"
status="r"/>
  </ep-chg-info>
</B002EP>

<B540>
  <B541>de</B541>
  <B542 id="ep-chg0001">Vorrichtung zur Abgabe von
Papierstücken</B542>
  <B541>en</B541>
  <B542>Device for distributing paper segments</B542>
  <B541>fr</B541>
  <B542>Dispositif de distribution de segments de papier</B542>
</B540>
```


<B560>: List of prior art documents

(56) List of prior art documents, if separate from descriptive text

```
<B560>
  <B561><text>Patent citation</text></B561>
  <B562><text>Non patent citation</text></B562>
</B560>
```

Example:

```
<B560>
  <B561><text>EP-A- 0 409 179</text></B561>
  <B561><text>US-A- 5 823 248</text></B561>
  <B561><text>US-A- 5 871 043</text></B561>
  <B562><text>PATENT ABSTRACTS OF JAPAN vol.
  007.....</text></B562>
  <B562><text>PATENT ABSTRACTS OF JAPAN vol. 12.....</text></B562>
</B560>
```

These tags are only used on the title page of B documents.

<B565>: Date of completion of search report

```
<B565>
  <date>yyyymmdd</date>
</B565>
```

Date when the European search report was drawn up.

<B565EP>: Date of drawing up and despatch of supplementary search report

```
<B565EP>
  <date>yyyymmdd</date>
</B565EP>
```

Date when a supplementary European search report was drawn up.

<B566EP>: Date of despatch for correction to the search report

Date of despatch of new documents to the applicant after publication of the search report.

<B598>: Figure number on first (title) page, abstract drawing

This tag may contain up to 16 bytes and each figure number is a 4 byte

code.

Example:

```
<B598>2ççç5</B598>
```

Note: Character "ç" represents a space.

<B600>: References to other legally or procedurally related domestic patent documents

<B610>: Earlier document information

(61) Number and, if possible, filing date of the earlier application, or number of the earlier publication, or number of earlier granted patent, inventor's certificate, utility model or the like to which the present patent document is an addition

```
<B610>
  <parent>Parent relation
    <pdoc>Earlier document data
      <dnum>
        <anum>Application number of an earlier
        application
        </anum>
        <pnum>Publication number of an earlier
        application
        </pnum>
      </dnum>
      <date>Date of receipt</date>
    </pdoc>
  </parent>
</B610>
```

<B620>: Parent application data

(62) Number and, if possible, filing date of the earlier application from which the present patent document has been divided up

```
<B620>
  <parent>Parent relation
    <pdoc>parent application data
      <dnum>
        <anum>Application number of the parent
        application
        </anum>
        <pnum>Publication number of the parent
        application
        </pnum>
      </dnum>
      <date>Date of receipt</date>
    </pdoc>
  </parent>
</B620>
```

Example:

```
<B620>
  <parent>
    <pdoc>
      <dnum>
        <anum>96114809.5</anum>
        <pnum>0745474</pnum>
      </dnum>
      <date>19960916</date>
    </pdoc>
    <pdoc>
      <dnum>
        <anum>89303782.0</anum>
        <pnum>0354637</pnum>
      </dnum>
      <date>19890417</date>
    </pdoc>
  </parent>
</B620>
```

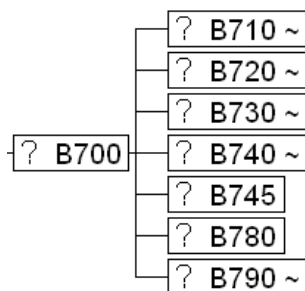
<B620EP>: Divisional application(s)

```
<B620EP>
  <parent>Parent relation
    <doc>divisional application data
      <dnum>
        < anum>Application number of the divisional
application
          </ anum>
        < pnum>Publication number of the divisional
application
          </ pnum>
      </ dnum>
      < date>Date of receipt</ date>
    </ doc>
  </ parent>
</ B620EP>
```

Example for change on divisional application data:

```
<B002EP>
  < ep-chg-info>
    < ep-chg idref="ep-chg0001" btag="B620EP" date="20041117"
status="r" />
  </ ep-chg-info>
</ B002EP>
```

```
<B620EP id="ep-chg0001">
  < parent>
    < doc>
      < dnum>
        < anum>04026830.2</ anum>
      </ dnum>
      < date>20041111</ date>
    </ doc>
    < doc>
      < dnum>
        < anum>04026831.0</ anum>
      </ dnum>
      < date>20041111</ date>
    </ doc>
  </ parent>
</ B620EP>
```

<B700>: Parties concerned with the document**<B710>: Applicants**

```

<B710>
  <B711>
    <snm>Name</snm>
    <iid>EPO number of the Applicant</iid>
    <irf>Reference of the Applicant</irf>
    <syn>Synonym, cross reference of the Applicant</syn>
    <adr>Address
      <str>Street</str>
      <city>City, Town</city>
      <ctry>Country code</ctry>
    </adr>
    <B716EP>Designated states for the applicant. Used only
when some of the designated states are mentioned
      <ctry> Country code</ctry>
    </B716EP>
    <B717EP>Designated extension for the applicant. Used only
when some of the extended states are mentioned
      <ctry> Country code</ctry>
    </B717EP>
    <B718EP> Effective date for transfer of rights
      <date>
      </date>
    </B718EP>
  </B711>
</B710>

```

Note: The name and address data, extracted from EPASYS, cannot be as precisely specified as might be desired. For example, under <snm> all names are given: corporate or personal and, in the latter, last name is not tagged separately from first name. In the <str> field other data than street is entered and in the <city> field we may have city and state, for example.

Examples of all these can be seen below.

Example:

The designated states are: AT BE CH LI DE.

The first applicant applies for countries: 'AT BE CH LI'
The second applicant applies for countries: 'DE'.

```
<B710>
  <B711>
    <snm>F.HOFFMANN-LA ROCHE AG</snm>
    <iid>01138591</iid>
    <irf>19023 EP-Si</irf>
    <adr>
      <str>Grenzacherstrasse 124</str>
      <city>4070 Basel</city>
      <ctry>CH</ctry>
    </adr>
    <B716EP>
      <ctry>AT</ctry>
      <ctry>BE</ctry>
      <ctry>CH</ctry>
      <ctry>LI</ctry>
    </B716EP>
  </B711>
  <B711>
    <snm>Roche Diagnostics GmbH</snm>
    <iid>00205391</iid>
    <irf>19023 EP-Si</irf>
    <adr>
      <str>
      </str>
      <city>68298 Mannheim</city>
      <ctry>DE</ctry>
    </adr>
    <B716EP>
      <ctry>DE</ctry>
    </B716EP>
  </B711>
</B710>
```

<B720>: Inventors

```
<B720>
  <B721>
    <snm>Name</snm>
    <adr>Address
      <str> Street</str>
      <city>Town</city>
      <ctry>Country code</ctry>
    </adr>
  </B721>
</B720>
```

Or, when the inventor has agreed to waive his entitlement to designation:

```
<B720>
  <B721>
    <B725EP>
      <text>Text according to publication language. See
      Table below
      </text>
    </B725EP>
  </B721>
</B720>
```

Note: Text from tag <B725EP> also used in tag <B009EP>.

Example:

```
<B720>
  <B721>
    <snm>Bornmann, Uwe</snm>
    <adr>
      <str>Mayerhansenstrasse 7/6</str>
      <city>A-4060 Leonding</city>
      <ctry>AT</ctry>
    </adr>
  </B721>
  <B721>
    <snm>Schörgenhuber, Heinz</snm>
    <adr>
      <str>Karl Wiserstrasse 8</str>
      <city>A-4020 Linz</city>
      <ctry>AT</ctry>
    </adr>
  </B721>
</B720>
```

Text used when inventors waive their entitlement to designation

Publication language Text in <B725EP>

When there is only one inventor and he has agreed to waive his entitlement to designation

De "Der Erfinder hat auf seine Nennung verzichtet"
En "The inventor has agreed to waive his entitlement to designation"
Fr "L'inventeur a renoncé à sa désignation"

When there are several inventors and they all have agreed to waive their entitlement to designation

De "Die Erfinder haben auf ihre Nennung verzichtet"
En "The inventors have agreed to waive their entitlement to designation"
Fr "Les inventeurs ont renoncé à leur désignation"

When there are several inventors and one of them has agreed to waive his entitlement to designation

De "Der weitere Erfinder hat auf seine Nennung verzichtet"
En "The other inventor has agreed to waive his entitlement to designation"
Fr "L'autre inventeur a renoncé à sa désignation"

When there are several inventors and some of them have agreed to waive their entitlement to designation

De "Die weiteren Erfinder haben auf ihre Nennung verzichtet"
En "The other inventors have agreed to waive their entitlement to designation"
Fr "Les autres inventeurs ont renoncé à leur désignation"

Example:

```

<B720>
  <B721>
    <snm>Frey, Juerg</snm>
    <adr>
      <str>Haggenstr. 80</str>
      <city>9014 St. Gallen</city>
      <ctry>CH</ctry>
    </adr>
  </B721>
  <B721>
    <B725EP>
      <text>Die andere Erfinder haben auf ihre Nennung
verzichtet.</text>
    </B725EP>
  </B721>
</B720>

```

Text from tag <B725EP> used as well in tag <B009EP>:

```

<B009EP>
  <text>Die andere Erfinder haben auf ihre Nennung verzichtet.</text>
  <text>The other inventors have agreed to waive their entitlement to
designation.</text>
  <text>Les autres inventeurs ont renoncé à leur désignation.</text>
</B009EP>

```

<B730>: Grantees

```

<B730>
  <B731>
    <snm>Name</snm>
    <iid>EPO number of the grantee</iid>
    <irf>Reference of the grantee</irf>
    <syn>Synonym, cross reference of the grantee</syn>
    <adr>Address
      <str>Street</str>
      <city>Town</city>
      <ctry>Country code</ctry>
    </adr>
    <B736EP>Designated states for the grantee. Used only when
some of the designated states are mentioned
      <ctry>Country code</ctry>
    </B736EP>
    <B737EP>Designated extension for the grantee. Used only when
some of the extended states are mentioned
      <ctry>Country code</ctry>
    </B737EP>
    <B738EP>Effective date for transfer of rights
      <date>
      </date>

```

```
        </B738EP>
    </B731>
</B730>
```

Example for change on grantee:

```
<B002EP>
    <ep-chg-info>
        <ep-chg idref="ep-chg0001" btag="B730" date="20041112"
status="r"/>
    </ep-chg-info>
</B002EP>

<B730 id="ep-chg0001">
    <B731>
        <snm>Koninklijke Philips Electronics N.V.</snm>
        <iid>00200769</iid>
        <irf>PHD97.116EP</irf>
        <adr>
            <str>Groenewoudseweg 1</str>
            <city>5621 BA Eindhoven</city>
            <ctry>NL</ctry>
        </adr>
        <B736EP>
            <ctry>FR</ctry>
            <ctry>GB</ctry>
        </B736EP>
        <B738EP><date>00000000</date></B738EP>
    </B731>
    <B731>
        <snm>Philips Intellectual Property & Standards GmbH</snm>
        <iid>02797108</iid>
        <irf>PHD97.116EP</irf>
        <adr>
            <str>Steindamm 94</str>
            <city>20099 Hamburg</city>
            <ctry>DE</ctry>
        </adr>
        <B736EP>
            <ctry>DE</ctry>
        </B736EP>
        <B738EP>
            <date>00000000</date>
        </B738EP>
    </B731>
</B730>
```

<B740>: Attorney/agent of the applicant(s)

```
<B740>
  <B741>
    <snm>Name</snm>
    <sfx>Suffix 'et al'</sfx>
    <iid>EPO number of the Attorney/Agent</iid>
    <adr>Address
      <str>Street</str>
      <city>Town</city>
      <ctry>Country code</ctry>
    </adr>
  </B741>
</B740>
```

Example:

```
<B740>
  <B741>
    <snm>Hudson, Peter David</snm>
    <sfx>et al</sfx>
    <iid>00052402</iid>
    <adr>
      <str>Motorola Patent and Licensing Operations</str>
      <city>Basingstoke Hampshire RG22 4PD</city>
      <ctry>GB</ctry>
    </adr>
  </B741>
</B740>
```

<B780>: Opposition(s)

```

<B780>
  <B781>Opponent data
    <dnum>
      <text>Serial number of the opposition</text>
    </dnum>
    <date>Date of opposition</date>
      • Date of receipt for 'filed' and 'admissible' oppositions
      • Date of legal effect for 'inadmissible' and 'deemed not
to be filed' oppositions
    <kind>Kind code of the result from the examination on
admissibility
    </kind>
      Code Meaning
      0 Opposition filed
      1 Admissible opposition
      2 Inadmissible opposition
      3 Deemed not to be filed
      4 Opposition withdrawn
      5 Intervention Art. 105 EPC
      6 Intervention admissible
      7 Intervention inadmissible
      8 Intervention deemed not to be filed
      9 Intervention withdrawn

    <snm>Name</snm>
    <iid>EPO number of the Opponent</iid>
    <adr>Address
      <str>Street</str>
      <city>Town</city>
      <ctry>Country code</ctry>
    </adr>
    <B784>Attorney/agent of the opponent
      <snm>Name</snm>
      <sfx>Suffix 'et al'</sfx>
      <iid>EPO number of the Attorney/Agent</iid>
      <adr>Address
        <str>Street</str>
        <city>Town</city>
        <ctry>Country code</ctry>
      </adr>
    </B784>
  </B781>
  <B787>
    <date>Date of rejection of the opposition procedure</date>
  </B787>
  <B788>
    <date>Date of termination of the opposition procedure </date>
  </B788>
</B780>

```

Example for opposition(s) filed

```
<B002EP>
  <ep-chg-info>
    <ep-chg idref="ep-chg0001" btag="B781" date="20041115"
status="n" />
    <ep-chg idref="ep-chg0002" btag="B781" date="20041115"
status="n" />
  </ep-chg-info>
</B002EP>
```

```
<B780>
  <B781 id="ep-chg0001">
    <dnum>
      <text>01</text>
    </dnum>
    <date>20041104</date>
    <kind>1</kind>
    <snm>BOREALIS GmbH</snm>
    <iid>00112121</iid>
    <adr>
      <str>Danubiastrasse 21-25</str>
      <city>2323 Schwechat-Mannswörth</city>
      <ctry>AT</ctry>
    </adr>
    <B784>
      <snm>VA TECH Patente GmbH & Co</snm>
      <iid>00101692</iid>
      <adr>
        <str>Stahlstrasse 21 a</str>
        <city>4020 Linz</city>
        <ctry>AT</ctry>
      </adr>
    </B784>
  </B781>
  <B781 id="ep-chg0002">
    <dnum>
      <text>02</text>
    </dnum>
    <date>20041110</date>
    <kind>0</kind>
    <snm>Degussa Initiators GmbH & Co. KG</snm>
    <iid>00167340</iid>
    <adr>
      <str>Postfach</str>
      <city>82047 Pullach</city>
      <ctry>DE</ctry>
    </adr>
  </B781>
</B780>
```

Example for change on inadmissible opposition

```
<B002EP>
  <ep-chg-info>
    <ep-chg idref="ep-chg0001" btag="B781" date="20041117" status="r"/>
  </ep-chg-info>
</B002EP>

<B780>
  <B781 id="ep-chg0001">
    <dnum>
      <text>01</text>
    </dnum>
    <date>20000831</date>
    <kind>2</kind>
    <snm>Baumüller Anlagen-Systemtechnik GmbH & Co.</snm>
    <iid>00128290</iid>
    <adr>
      <str>Ostendstrasse 84</str>
      <city>90482 Nürnberg</city>
      <ctry>DE</ctry>
    </adr>
    <B784>
      <snm>Götz, Georg, Dipl.-Ing.</snm>
      <sfx>et al</sfx>
      <iid>00059329</iid>
      <adr>
        <str>Götz Patent- und Rechtsanwälte, Färberstrasse 20</str>
        <city>90402 Nürnberg</city>
        <ctry>DE</ctry>
      </adr>
    </B784>
  </B781>
  <B781>
    <dnum>
      <text>02</text>
    </dnum>
    <date>20000901</date>
    <kind>0</kind>
    <snm>Heidelberger Druckmaschinen AG</snm>
    <iid>00010291</iid>
    <adr>
      <str>Kurfürsten-Anlage 52-60</str>
      <city>D-69115 Heidelberg</city>
      <ctry>DE</ctry>
    </adr>
    <B784>
      <snm>Domenego, Bertrand</snm>
      <iid>00095861</iid>
      <adr>
        <str>Cabinet Lavoix 2, place d'Estienne d'Orves</str>
        <city>75441 Paris Cedex 09</city>
        <ctry>FR</ctry>
      </adr>
    </B784>
  </B781>
</B780>
```

Example for deletion of filed opposition

```
<B002EP>
  <ep-chg-info>
    <ep-chg idref="ep-chg0001" btag="B781" date="20041117"
status="d" />
  </ep-chg-info>
</B002EP>

<B780>
  <B781 id="ep-chg0001">
    <dnum>
      <text>01</text>
    </dnum>
    <kind>1</kind>
  </B781>
  <B781>
    <dnum>
      <text>02</text>
    </dnum>
    <date>20000901</date>
    <kind>0</kind>
    <snm>Heidelberger Druckmaschinen AG</snm>
    <iid>00010291</iid>
    <adr>
      <str>Kurfürsten-Anlage 52-60</str>
      <city>D-69115 Heidelberg</city>
      <ctry>DE</ctry>
    </adr>
    <B784>
      <snm>Domenego, Bertrand</snm>
      <iid>00095861</iid>
      <adr>
        <str>Cabinet Lavoix 2, place d'Estienne
d'Orves</str>
        <city>75441 Paris Cedex 09</city>
        <ctry>FR</ctry>
      </adr>
    </B784>
  </B781>
</B780>
```

Example for rejection of opposition procedure:

```
<B002EP>
  <ep-chg-info>
    <ep-chg idref="ep-chg0001" btag="B787" date="20041118"
status="n" />
  </ep-chg-info>
</B002EP>

<B780>
  <B781>
    <dnum>
      <text>01</text>
    </dnum>
    <date>19990810</date>
    <kind>1</kind>
    <snm>VIPA Gesellschaft für Visualisierung u.
Prozessautomatisierung mbH</snm>
    <iid>00096510</iid>
    <adr>
      <str>Wetterkreuz 27</str>
      <city>91058 Erlangen</city>
      <ctry>DE</ctry>
    </adr>
    <B784>
      <snm>Dreykorn-Lindner, Werner, Dipl.-Ing.</snm>
      <iid>00052675</iid>
      <adr>
        <str>Patentanwalt, Steinlachstrasse 2</str>
        <city>90571 Schwaig</city>
        <ctry>DE</ctry>
      </adr>
    </B784>
  </B781>
  <B787 id="ep-chg0001">
    <date>20041005</date>
  </B787>
</B780>
```


The example below shows how the <ep-chg-info> is used when there is a change on 'Opponent data' and on 'Date of termination of the opposition procedure'.

```
<B002EP>
  <ep-chg-info>
    <ep-chg idref="ep-chg0001" btag="B781" date="20041117"
status="r" />
    <ep-chg idref="ep-chg0002" btag="B788" date="20041117"
status="d" />
  </ep-chg-info>
</B002EP>
```

```
<B780>
  <B781 id="ep-chg0001">
    <dnum>
      <text>01</text>
    </dnum>
    <date>19990810</date>
    <kind>1</kind>
    <snm>VIPA Gesellschaft für Visualisierung u.
Prozessautomatisierung mbH</snm>
    <iid>00096510</iid>
    <adr>
      <str>Wetterkreuz 27</str>
      <city>91058 Erlangen</city>
      <ctry>DE</ctry>
    </adr>
    <B784>
      <snm>Dreykorn-Lindner, Werner, Dipl.-Ing.</snm>
      <iid>00052675</iid>
      <adr>
        <str>Patentanwalt, Steinlachstrasse 2</str>
        <city>90571 Schwaig</city>
        <ctry>DE</ctry>
      </adr>
    </B784>
  </B781>
  <B788 id="ep-chg0002">
    </B788>
</B780>
```

<B790>: Licence(s)

```

<B790>
  <B791>
    <dnum>
      <text>Serial number of the licence</text>
    </dnum>
    <date>Date of legal effect of the licence</date>
    <kind>Kind of licence</kind>
    <snm>Name</snm>
    <iid>EPO number of the Licensee</iid>
    <adr>Address
      <str>Street</str>
      <city>Town</city>
      <ctry>Country code</ctry>
    </adr>
    <B796>Designated states concerned
      <ctry>Country code</ctry>
    </B796>
  </B791>
</B790>

```

Remarks:

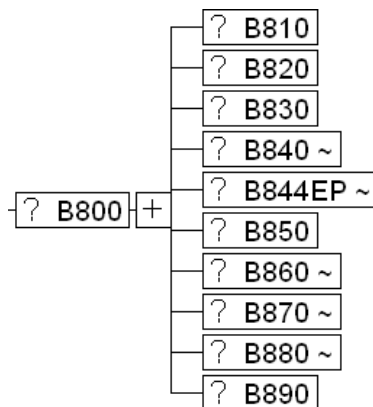
- The first two bytes of the serial number of a main licence and the other bytes represent the serial number of a sub-licence.
- The maximum serial number for a main licence and a sub-licence is 10.
- For an exclusive licence the tag <kind> contains the code "E".

Example:

```

<B790>
  <B791>
    <dnum>
      <text>0100</text>
    </dnum>
    <date>20010806</date>
    <kind>E</kind>
    <snm>FILOS s.p.a.</snm>
    <iid>00007470</iid>
    <adr>
      <str>Viale Italia 33</str>
      <city>31040 Segusino</city>
      <ctry>IT</ctry>
    </adr>
    <B796>
      <ctry>ES</ctry>
      <ctry>FR</ctry>
      <ctry>IT</ctry>
    </B796>
  </B791>
</B790>

```

<B800>: International Convention Data**<B830>: Information concerning deposit of micro-organisms**

```

<B830>
  <B831>EPO Declaration statement</B831>
</B830>

```

Example:

```

<B830>
  <B831>Declaration under Rule 32(1) EPC (expert solution)</B831>
</B830>

```

or

Erklärung nach Regel 32(1) EPÜ (Sachverständigenlösung)
 Déclaration conformément à la règle 32(1) CBE (solution de l'expert)

Pre EPC 2000 was Rule 28 (4)

Pre-EPC 2000

```

<B830>
<B831>Declaration under Rule 28(4) EPC (expert solution)</B831>
</B830>

```

Post EPC 2000

```

<B830>
<B831>Declaration under Rule 32(1) EPC (expert solution)</B831>
</B830>

```

<B840>: Designated contracting states

```
<B840>
  <ctry>Country code</ctry>
</B840>
```

Each state code is preceded by a tag ctry.

Example:

```
<B840>
  <ctry>DE</ctry>
  <ctry>DK</ctry>
  <ctry>ES</ctry>
  <ctry>NL</ctry>
  <ctry>SE</ctry>
</B840>
```

<B844EP>: States to which the application/patent is extended

```
<B844EP>States to which the application/patent is extended
  <B845EP>Extended state data
    <ctry>Country code</ctry>
    <date>Payment date</date>
    <B846EP>Date of withdrawal
      <date>yyyymmdd</date>
    </B846EP>
  </B845EP>
</B844EP>
```

Example:

```
<B844EP>
  <B845EP>
    <ctry>LT</ctry>
    <date>19930708</date>
  </B845EP>
  <B845EP>
    <ctry>LV</ctry>
    <date>19930731</date>
  </B845EP>
  <B845EP>
    <ctry>SI</ctry>
    <date>19930531</date>
    <B846EP>
      <date>19940430</date>
    </B846EP>
  </B845EP>
</B844EP>
```

<B848EP>: States to which the patent is validated

```

<B848EP>States to which the patent is validated
  <B849EP>Extended state data
    <ctry>Country code</ctry>
    <date>Payment date</date>
  </B849EP>
</B848EP>

```

Example:

```

<B848EP>
  <B849EP>
    <ctry>XX</ctry>
    <date>20140828</date>
  </B849EP>
</B848EP>

```

<B860>: PCT application data

(86) Filing data of the PCT international application, i.e., international filing date, international application number, and, optionally, the language in which the published international application was originally filed; or, in the case of design patents, registration data of the Hague Agreement international application, i.e., international registration date and international registration number

```

<B860>
  <B861>
    <dnum>
      <anum>PCT Application number</anum>
    </dnum>
    <date>PCT Date of filing</date>
  </B861>
  <B862>Filing language</B862>
</B860>

```

Example:

```

<B860>
  <B861>
    <dnum>
      <anum>GB1999004210</anum>
    </dnum>
    <date>19991213</date>
  </B861>
  <B862>en</B862>
</B860>

```

<B870>: PCT publication data

(87) Publication data of the PCT international application, i.e., international publication date, international publication number, and, optionally, the language in which the international application is published

```
<B870>
  <B871>
    <dnum>
      <pnum>PCT Publication number</pnum>
    </dnum>
    <date>Publication date</date>
    <bnum>Issue number of the Gazette</bnum>
  </B871>
</B870>
```

Example:

```
<B870>
  <B871>
    <dnum>
      <pnum>WO2000039549</pnum>
    </dnum>
    <date>20000706</date>
    <bnum>200027</bnum>
  </B871>
</B780>
```

<B880>: Publication of the deferred search report

```
<B880>
  <date>Publication date</date>
  <bnum>Issue number of the Bulletin</bnum>
</B880>
```

Date and issue of the EPO Bulletin in which the mention of the Search Report is published.

Note: For PCT applications, <date> tag (Publication date), contains the actual date of the international search report and <bnum> tag (Issue number of the Bulletin), contains '000000'.

Example:

```
<B880>
  <date>19910724</date>
  <bnum>000000</bnum>
</B880>
```

Character set

Introduction

Many EPO computer systems and projects process data on the EPO's IBM mainframe - one of the code pages on this system is IBM EBCDIC (Extended Binary Coded Decimal Interchange Code) Code Page 500. This is an internationally recognised code page for EBCDIC. As mentioned at the beginning we extract EBD data from the EPASYS system which stores data in Code Page 500:

| HEX DIGITS 1ST → 2ND ↓ | 4- | 5- | 6- | 7- | 8- | 9- | A- | B- | C- | D- | E- | F- |
|------------------------------|----------------|-------------|------------|------------|------------|------------|------------|------------|----------------|------------|------------|------------|
| -0 | (SP) SP010000 | & SM030000 | - SP100000 | ø L0610000 | Ø L0620000 | ° SM190000 | μ SM170000 | ¢ SC040000 | { SM110000 | } SM140000 | \ SM070000 | 0 ND100000 |
| -1 | (RSP) SF200000 | é LE110000 | / SP120000 | É LE120000 | a LA010000 | j LJ010000 | ~ SD190000 | £ SC020000 | A LA020000 | J LJ020000 | ÷ SA060000 | 1 ND010000 |
| -2 | â LA150000 | ê LF150000 | Â LA160000 | Ê LE160000 | b LB010000 | k LK010000 | s LS010000 | ¥ SC050000 | B LB020000 | K LK020000 | S LS020000 | 2 ND020000 |
| -3 | ã LA170000 | ë LE170000 | Ã LA180000 | Ë LE180000 | c LC010000 | l LL010000 | t LT010000 | · SD630000 | C LC020000 | L LJ020000 | T LT020000 | 3 ND030000 |
| -4 | â LA130000 | è LF130000 | À LA140000 | È LE140000 | d LD010000 | m LM010000 | u LU010000 | © SM520000 | D LD020000 | M LM020000 | U LU020000 | 4 ND040000 |
| -5 | á LA110000 | í LI110000 | Á LA120000 | Í LI120000 | e LE010000 | n LN010000 | v LV010000 | § SM240000 | E LE020000 | N LN020000 | V LV020000 | 5 ND050000 |
| -6 | ã LA190000 | î LI190000 | Ã LA200000 | Ï LI200000 | f LF010000 | o LO010000 | w LW010000 | ¶ SM250000 | F LF020000 | O LO020000 | W LW020000 | 6 ND060000 |
| -7 | â LA270000 | ï LI170000 | Ã LA280000 | Ï LI180000 | g LG010000 | p LP010000 | x LX010000 | ¼ NF040000 | G LG020000 | P LP020000 | X LX020000 | 7 ND070000 |
| -8 | ç LC410000 | ì LI130000 | Ç LC420000 | Ï LI140000 | h LH010000 | q LQ010000 | y LY010000 | ½ NF010000 | H LH020000 | Q LQ020000 | Y LY020000 | 8 ND080000 |
| -9 | ñ LN190000 | β LS610000 | Ñ LN200000 | ´ SD130000 | i LI010000 | r LR010000 | z LZ010000 | ¾ NF050000 | I LI020000 | R LR020000 | Z LZ020000 | 9 ND090000 |
| -A | [SM060000 |] SM080000 | ¡ SM650000 | ∴ SP130000 | « SP170000 | ⊘ SM210000 | ¡ SP030000 | ⌋ SM660000 | (SHY) SP320000 | 1 ND011000 | 2 ND021000 | 3 ND031000 |
| -B | · SP110000 | \$ SC030000 | , SP080000 | # SM010000 | » SP180000 | Ω SM200000 | ¿ SP160000 | SM130000 | ô LO150000 | û LU150000 | Ô LO160000 | Û LU160000 |
| -C | < SA030000 | * SM040000 | % SM020000 | @ SM050000 | ð LD630000 | æ LA510000 | Ð LD620000 | ˉ SM150000 | ö LO170000 | ü LU170000 | Ö LO180000 | Ü LU180000 |
| -D | (SP060000 |) SP070000 | — SP090000 | ' SP050000 | ý LY110000 | ˙ SD040000 | Ý LY120000 | ¨ SD170000 | ò LO130000 | ù LU130000 | Ò LO140000 | Ù LU140000 |
| -E | + SA010000 | ; SP140000 | > SA050000 | = SA040000 | þ LT630000 | Æ LA520000 | Ɔ LT640000 | ' SD110000 | ó LO110000 | ú LU110000 | Ó LO120000 | Ú LU120000 |
| -F | ! SP020000 | ^ SD150000 | ? SP150000 | " SP040000 | ± SA020000 | ⌘ SC010000 | ® SM530000 | × SA070000 | õ LO190000 | ÿ LY170000 | Ï LO200000 | EO |

Code Page 00500

In re-designing the EPO publication system to use XML we decided to convert this code page to Unicode UTF-8 as it is now common for all XML based systems. Unicode has a vast number of characters but for the EBD we need only use those with equivalents in Code page 500.

The following table is a description of each code together with its graphical representation.

Note: for the full text of patent documents we will use many more Unicode characters than those given below.

Unicode Table 1 – C0 Controls and Basic Latin (mostly old ASCII/IBM code pages)

| Character | Unicode | 500 | Description |
|-----------|---------|-----|----------------------------------|
| <control> | 000A | 15 | New line control code; Line Feed |
| <control> | 000C | 0C | New page control code; Form Feed |
| <control> | 000D | 0D | Carriage return control code |
| <control> | 001B | 27 | Escape control code |
| <control> | 0020 | 40 | Space |
| ! | 0021 | 4F | Exclamation mark |
| " | 0022 | 7F | Quotation mark |
| # | 0023 | 7B | Numeral sign |
| \$ | 0024 | 5B | Dollar sign |
| % | 0025 | 6C | Percent sign |
| & | 0026 | 50 | Ampersand use &#amp; |
| ' | 0027 | 7D | Apostrophe |
| (| 0028 | 4D | Left, opening parenthesis |
|) | 0029 | 5D | Right, close parenthesis |
| * | 002A | 5C | Asterisk |
| + | 002B | 4E | Plus |
| , | 002C | 6B | Comma |
| - | 002D | 60 | Hyphen or minus |
| . | 002E | 4B | Full stop, Period |
| / | 002F | 61 | Solidus, slash |
| 0 | 0030 | F0 | Digit 0 |
| 1 | 0031 | F1 | Digit 1 |
| 2 | 0032 | F2 | Digit 2 |
| 3 | 0033 | F3 | Digit 3 |
| 4 | 0034 | F4 | Digit 4 |
| 5 | 0035 | F5 | Digit 5 |
| 6 | 0036 | F6 | Digit 6 |
| 7 | 0037 | F7 | Digit 7 |
| 8 | 0038 | F8 | Digit 8 |
| 9 | 0039 | F9 | Digit 9 |
| : | 003A | 7A | Colon |
| ; | 003B | 5E | Semicolon |
| < | 003C | 4C | Less-than sign use < |
| = | 003D | 7E | Equals |
| > | 003E | 6E | Greater than sign use > |
| ? | 003F | 6F | Question mark |

| Character | Unicode | 500 | Description |
|-----------|---------|-----|-----------------------------|
| @ | 0040 | 7C | Commercial at |
| A | 0041 | C1 | Capital A |
| B | 0042 | C2 | Capital B |
| C | 0043 | C3 | Capital C |
| D | 0044 | C4 | Capital D |
| E | 0045 | C5 | Capital E |
| F | 0046 | C6 | Capital F |
| G | 0047 | C7 | Capital G |
| H | 0048 | C8 | Capital H |
| I | 0049 | C9 | Capital I |
| J | 004A | D1 | Capital J |
| K | 004B | D2 | Capital K |
| L | 004C | D3 | Capital L |
| M | 004D | D4 | Capital M |
| N | 004E | D5 | Capital N |
| O | 004F | D6 | Capital O |
| P | 0050 | D7 | Capital P |
| Q | 0051 | D8 | Capital Q |
| R | 0052 | D9 | Capital R |
| S | 0053 | E2 | Capital S |
| T | 0054 | E3 | Capital T |
| U | 0055 | E4 | Capital U |
| V | 0056 | E5 | Capital V |
| W | 0057 | E6 | Capital W |
| X | 0058 | E7 | Capital X |
| Y | 0059 | E8 | Capital Y |
| Z | 005A | E9 | Capital Z |
| [| 005B | 4A | Left, open square bracket |
| \ | 005C | E0 | Back slash; Reverse solidus |
|] | 005D | 5A | Right, close square bracket |
| ^ | 005E | 5F | Circumflex |
| _ | 005F | 6D | Underscore; Low Line |
| ` | 0060 | 79 | Grave accent |
| a | 0061 | 81 | Small a |
| b | 0062 | 82 | Small b |
| c | 0063 | 83 | Small c |
| d | 0064 | 84 | Small d |
| e | 0065 | 85 | Small e |
| f | 0066 | 86 | Small f |
| g | 0067 | 87 | Small g |

| Character | Unicode | 500 | Description |
|-----------|---------|-----|--------------------------|
| h | 0068 | 88 | Small h |
| i | 0069 | 89 | Small i |
| j | 006A | 91 | Small j |
| k | 006B | 92 | Small k |
| l | 006C | 93 | Small l |
| m | 006D | 94 | Small m |
| n | 006E | 95 | Small n |
| o | 006F | 96 | Small o |
| p | 0070 | 97 | Small p |
| q | 0071 | 98 | Small q |
| r | 0072 | 99 | Small r |
| s | 0073 | A2 | Small s |
| t | 0074 | A3 | Small t |
| u | 0075 | A4 | Small u |
| v | 0076 | A5 | Small v |
| w | 0077 | A6 | Small w |
| x | 0078 | A7 | Small x |
| y | 0079 | A8 | Small y |
| z | 007A | A9 | Small z |
| { | 007B | C0 | Left, open curly brace |
| | 007C | BB | Vertical line, bar |
| } | 007D | D0 | Right, close curly brace |
| ~ | 007E | A1 | Tilde |

Unicode Table 2 – C1 Controls and Latin-1 Supplement - ISO 8859

| | Unicode | 500 | Description |
|---|---------|-----|--|
| 0 | 0030 | F0 | Slash zero [Use normal zero] |
| | 00A0 | 41 | No-break space |
| ¡ | 00A1 | AA | Inverted exclamation mark |
| ¢ | 00A2 | B0 | Cent sign |
| £ | 00A3 | B1 | Pound sign |
| ¤ | 00A4 | 9F | Currency sign |
| ¥ | 00A5 | B2 | Yen sign |
| ¦ | 00A6 | 6A | Broken vertical bar |
| § | 00A7 | B5 | Section sign |
| ¨ | 00A8 | BD | Diaeresis |
| © | 00A9 | 7C | Copyright sign |
| ª | 00AA | 9A | Ordinal indicator, feminine |
| « | 00AB | 8A | Left-pointing double quotation mark = Left pointing guillemet, chevrons |
| ¬ | 00AC | BA | Not sign |
| - | 00AD | CA | Soft-hyphen |
| ® | 00AE | AF | Registered trade mark |
| ˉ | 00AF | BC | Macron |
| ° | 00B0 | 90 | Degree sign |
| ± | 00B1 | 8F | Plus minus |
| ² | 00B2 | EA | Superscript two |
| ³ | 00B3 | FA | Superscript three |
| • | 00B4 | BE | Acute accent |
| µ | 00B5 | A0 | Micro sign |
| ¶ | 00B6 | B6 | Paragraph sign; Pilcrow sign |
| · | 00B7 | B3 | Centre dot |
| ¸ | 00B8 | 9D | Cedilla |
| ¹ | 00B9 | DA | Superscript 1 |
| º | 00BA | 9B | Ordinal indicator, masculine |
| » | 00BB | 8B | Right pointing double angle quotation mark |
| ¼ | 00BC | B7 | Quarter |
| ½ | 00BD | B8 | Half |
| ¾ | 00BE | B9 | Three quarters |
| ¿ | 00BF | AB | Inverted question mark |
| À | 00C0 | 64 | Capital A grave |
| Á | 00C1 | 65 | Capital A acute |

| | Unicode | 500 | Description |
|---|---------|-----|--------------------------------|
| Â | 00C2 | 62 | Capital A circumflex |
| Ã | 00C3 | 63 | Capital A tilde |
| Ä | 00C4 | 63 | Capital A umlaut |
| Å | 00C5 | 67 | Capital A over circle |
| Æ | 00C6 | 9E | Capital AE |
| Ç | 00C7 | 68 | Capital C cedilla |
| È | 00C8 | 74 | Capital E grave |
| É | 00C9 | 71 | Capital E acute |
| Ê | 00CA | 72 | Capital E circumflex |
| Ë | 00CB | 73 | Capital E umlaut |
| Ì | 00CC | 78 | Capital I grave |
| Í | 00CD | 75 | Capital I acute |
| Î | 00CE | 76 | Capital I circumflex |
| Ï | 00CF | 77 | Capital I umlaut |
| Ð | 00D0 | AC | Capital ETH, Icelandic |
| Ñ | 00D1 | 69 | Capital N tilde |
| Ò | 00D2 | ED | Capital O grave |
| Ó | 00D3 | EE | Capital O acute |
| Ô | 00D4 | EB | Capital O circumflex |
| Õ | 00D5 | EF | Capital O tilde |
| Ö | 00D6 | EC | Capital O umlaut |
| × | 00D7 | BF | Multiply sign [See also U2715] |
| Ø | 00D8 | 80 | Capital O, slash |
| Ù | 00D9 | FD | Capital U grave |
| Ú | 00DA | FE | Capital U acute |
| Û | 00DB | FB | Capital U circumflex |
| Ü | 00DC | FC | Capital U umlaut |
| Ý | 00DD | AD | Capital Y acute |
| Þ | 00DE | AE | Capital Thorn, Icelandic |
| ß | 00DF | 59 | Small s sharp, |
| à | 00E0 | 44 | Small a grave |
| á | 00E1 | 45 | Small a acute |
| â | 00E2 | 42 | Small a circumflex |
| ã | 00E3 | 46 | Small a tilde |
| ä | 00E4 | 43 | Small a umlaut |
| å | 00E5 | 47 | Small a over circle |
| æ | 00E6 | 9C | Small diphtong |
| ç | 00E7 | 48 | Small c cedilla |

| | Unicode | 500 | Description |
|---|---------|-----|------------------------|
| è | 00E8 | 54 | Small e grave |
| é | 00E9 | 51 | Small e acute |
| ê | 00EA | 52 | Small e circumflex |
| ë | 00EB | 53 | Small e umlaut |
| ì | 00EC | 58 | Small i grave |
| í | 00ED | 55 | Small i acute |
| î | 00EE | 56 | Small i circumflex |
| ï | 00EF | 57 | Small i umlaut |
| ð | 00F0 | 9C | Small eth, Icelandic |
| ñ | 00F1 | 49 | Small n tilde |
| ò | 00F2 | CD | Small o grave |
| ó | 00F3 | CE | Small o acute |
| ô | 00F4 | CB | Small o circumflex |
| õ | 00F5 | CF | Small o tilde |
| ö | 00F6 | CC | Small o umlaut |
| ÷ | 00F7 | 4E | Divide sign |
| ø | 00F8 | 70 | Small o, slash |
| ù | 00F9 | DD | Small u grave |
| ú | 00FA | DE | Small u acute |
| û | 00FB | DB | Small u circumflex |
| ü | 00FC | DC | Small u umlaut |
| ý | 00FD | 8D | Small y acute |
| þ | 00FE | 8E | Small thorn, Icelandic |
| ÿ | 00FF | DF | Small y umlaut |

Publication event list

| Doc status | kind | change tags | short description |
|------------|-------|--|---|
| n | A1,A2 | | EP A1/A2 publications |
| r | A1,A2 | | International applications (Article 153(4)). Note: country attribute contains "WO" |
| r | A1,A2 | r=B006EP n=B237 n=B840 n=B844EP | International applications not entering the EP phase. Note: country attribute contains "WO" |
| r | A1,A2 | n=B848EP | Designated, extended & validated states confirmed |
| r | A1,A2 | n=B0750EP | Petition for review (PREV) |
| r | A1,A2 | n=B566EP | Documents discovered after completion of EP search report |
| n | A3 | | Separate publication |
| r | A1,A2 | n=B880 | Date of publication of the search report |
| r | A1,A2 | n=B565 | Date of completion of the search report |
| r | A1,A2 | n=B565EP | Drawing up of a supplementary EP search report |
| r | A1,A2 | n=B241 | Date of filing of request for examination |
| r | A1,A2 | n=B242 | Date of despatch of first examination report |
| r | A1,A2 | n=B452EP | Intention to grant |
| r | A1,A2 | n=B235 | Date refusal of the EP patent application |
| r | A1,A2 | n=B236 | Date withdrawn of the EP patent application |
| r | A1,A2 | n=B237 | Date "deemed withdrawn" of the EP patent application |
| r | A1,A2 | n=B238EP n=B238 | Date of receipt of request for re-establishment of right Date and purport of decision on request for request for |
| r | A1,A2 | n=B004EP n=B245 | re-establishment of rights Date of suspension in case referred to Rule 14. |
| r | A1,A2 | n=B245EP | Note: Tag B245EP contains value '1' Date of resumption in case referred to Rule 14. |
| r | A1,A2 | n=B246 n=B245 | Note: Tag B245EP contains value '1' |
| r | A1,A2 | n=B245EP | Date of interruption in case referred to Rule 142 |
| r | A1,A2 | n=B246 | Date of resumption in case referred to Rule 142 |
| r | A1,A2 | n=B244 | Filing of a request for conversion Article 135 |
| r | A1,A2 | n=B790 | Licences |
| r | A1,A2 | n=B010EP | Legal means and other rights |
| r | A1,A2 | n=B080EP | Public notification |
| r | A1,A2 | r/d=B250 | Language of filing |
| r | A1,A2 | r/d=B251EP | Procedure language |
| r | A1,A2 | r/d=B220 | Date of filing |
| r | A1,A2 | r/d=B270 | Previously filed application (EAPP) |
| r | A1,A2 | r/d=B510EP | International patent classification |
| r | A1,A2 | r/d=B880 | Separate publication of the EP search report |
| r | A1,A2 | r/d=B0750EP | Petition for review (PREV) |

| | | | |
|---|----------------|------------|--|
| r | A1,A2 | r/d=B565 | Date of completion of the search report |
| r | A1,A2 | r/d=B565EP | Drawing up of a supplementary EP search report |
| r | A1,A2 | r/d=B241 | Date of filing of request for examination |
| r | A1,A2 | r/d=B242 | Date of despatch of first examination report |
| r | A1,A2 | r/d=B452EP | Intention to grant (IGRA) |
| r | A1,A2 | r/d=B300 | Priority data |
| r | A1,A2 | r/d=B740 | Representative |
| | | r/d=B710 | Applicant (transfer of rights). |
| r | A1,A2 | r/d=B730 | Note: Presence of B718EP tag |
| r | A1,A2 | r/d=B840 | Designated contracting states |
| r | A1,A2 | r/d=B720 | Inventor |
| r | A1,A2 | r/d=B610 | Application number of the earlier application |
| r | A1,A2 | r/d=B620 | Application number of the original application |
| r | A1,A2 | r/d=B620EP | Application number of the divisional application |
| | | r/d=B540 | |
| r | A1,A2 | r/d=B542 | Title of invention (German) |
| | | r/d=B540 | |
| r | A1,A2 | r/d=B542 | Title of invention (English) |
| | | r/d=B540 | |
| r | A1,A2 | r/d=B542 | Title of invention (French) |
| r | A1,A2 | r/d=B244 | Filing of a request for conversion under Article 135 |
| | | r/d=B860 | |
| r | A1,A2 | r/d=B870 | PCT data |
| r | A1,A2 | r/d=B880 | Date of international search report for PCT applicati |
| r | A1,A2 | r/d=B236 | Date withdrawn of the EP patent application |
| r | A1,A2,B1,B2,B3 | r/d=B238EP | Date of receipt of request for re-establishment of right |
| | | r/d=B238 | Date and purport of decision on request for request for |
| r | A1,A2 | r/d=B004EP | re-establishment of rights |
| | | r/d=B245 | Date of suspension in case referred to Rule 14. |
| r | A1,A2 | r/d=B245EP | Note: Tag B245EP contains value '1' |
| | | r/d=B245 | |
| r | A1,A2 | r/d=B245EP | Date of interruption in case referred to Rule 142 |
| | | | Date of resumption in case referred to Rule 14. |
| r | A1,A2 | r/d=B246 | Note: Tag B245EP contains value '1' |
| r | A1,A2 | r/d=B246 | Date of resumption in case referred to Rule 142 |
| | | r/d=B430 | |
| | | r/d=B130 | |
| r | A1,A2 | d=B110 | Date and kind 1st publ |
| r | A1,A2 | r/d=B130 | Kind 1st publ |
| r | A1,A2 | r/d=B260 | Publication language |
| | | | Documents discovered after completion of |
| r | A1,A2 | r/d=B566EP | EP search report |
| r | A1,A2 | r/d=B237 | Date "deemed withdrawn" of the EP patent application |
| r | A1,A2 | r/d=B235 | Date refusal of the EP patent application |
| r | A1,A2 | r/d=B790 | Licences |
| r | A1,A2 | r/d=B010EP | Legal means and other rights |
| r | A1,A2 | r/d=B451EP | Announcement to grant |

| | | | |
|----------|----------|------------|---|
| r | A1,A2 | r/d=B050EP | Miscellaneous |
| r | A1,A2 | r/d=B844EP | Extended states |
| r | A1,A2 | r/d=B848EP | Validated states |
| r | A1,A2 | r/d=B710 | Applicant (name/address) |
| c | A8,A9 | | Correction on Applications |
| n | B1 | | Patent specification (Granted patent) |
| r | B1,B2,B3 | n=B0123EP | Decision on revocation request |
| r | B1,B2,B3 | n=B0127EP | Date of legal effect on revocation |
| r | B1,B2,B3 | n=B091EP | Limitation admissible |
| r | B1,B2,B3 | n=B091EP | Limitation inadmissible |
| r | B1,B2,B3 | n=B091EP | Limitation deemed not filed |
| r | B1,B2,B3 | n=B091EP | Limitation deemed not filed: opposition |
| r | B1,B2,B3 | n=B091EP | Limitation withdrawn |
| r | B1,B2,B3 | n=B092EP | Limitation Rejected |
| r | B1,B2,B3 | n=B093EP | Limitation Allowed |
| r | B1,B2,B3 | n=B475 | Date of lapse of the EP patent |
| r | B1,B2,B3 | n=B0750EP | Petition for review (PREV) |
| r | B1,B2,B3 | n=B781 | Opposition |
| r | B1,B2,B3 | n=B781 | Opposition withdrawn |
| r | B1,B2,B3 | n=B781 | Intervention Art. 105 EPC |
| r | B1,B2,B3 | n=B781 | Intervention admissible |
| r | B1,B2,B3 | n=B781 | Intervention inadmissible |
| r | B1,B2,B3 | n=B781 | Intervention deemed not to be filed |
| r | B1,B2,B3 | n=B781 | Intervention withdrawn |
| r | B1,B2,B3 | n=B078EP | No opposition filed |
| r | B1,B2,B3 | n=B781 | Opposition deemed not to have been filed |
| r | B1,B2,B3 | n=B781 | Inadmissible opposition |
| r | B1,B2,B3 | n=B239 | Revocation of the EP patent |
| n | B2 | | New patent specification B2 |
| r | B1,B2,B3 | n=B787 | Rejection of the opposition |
| r | B1,B2,B3 | n=B788 | Termination of opposition procedure |
| r | B1,B2,B3 | n=B244 | Filing of a request for conversion under Article 135 |
| | | n=B238 | |
| r | B1,B2,B3 | n=B004EP | Date of receipt of request for re-establishment of right |
| | | n=B245 | Date of suspension in case referred to Rule 14. |
| r | B1,B2,B3 | n=B245EP | Note: Tag B245EP contains value '1' Date of resumption in case referred to Rule 14. |
| r | B1,B2,B3 | n=B246 | Note: Tag B245EP contains value '1' |
| | | n=B245 | |
| r | B1,B2,B3 | n=B245EP | Date of interruption in case referred to Rule 142 |
| r | B1,B2,B3 | n=B246 | Date of resumption in case referred to Rule 142 |
| r | B1,B2,B3 | r/d=B250 | Language of filing |
| r | B1,B2,B3 | r/d=B251EP | Procedure language |
| r | B1,B2,B3 | r/d=B220 | Date of filing |
| r | B1,B2,B3 | r/d=B270 | Previously filed application (EAPP) |
| r | B1,B2,B3 | r/d=B091EP | Limitation changed |

| | | | |
|---|----------|-------------|---|
| r | B1,B2,B3 | r/d=B510EP | International patent classification |
| r | B1,B2,B3 | r/d=B0750EP | Petition for review (PREV) |
| r | B1,B2,B3 | r/d=B092EP | Limitation Rejected |
| r | B1,B2,B3 | r/d=B093EP | Limitation Allowed changed |
| r | B1,B2,B3 | r/d=B0123EP | Decision on revocation request changed |
| r | B1,B2,B3 | r/d=B0127EP | Date of legal effect on revocation |
| r | B1,B2,B3 | r/d=B565EP | Drawing up of a supplementary EP search report |
| r | B1,B2,B3 | r/d=B242 | Date of despatch of first examination report |
| r | B1,B2,B3 | r/d=B300 | Priority data |
| r | B1,B2,B3 | r/d=B740 | Representative |
| | | r/d=B730 | Proprietor of the patent (transfer of rights). |
| r | B1,B2,B3 | r/d=B710 | Note: Presence of B738EP tag |
| r | B1,B2,B3 | r/d=B840 | Designated Contracting States |
| r | B1,B2,B3 | r/d=B720 | Inventor |
| r | B1,B2,B3 | r/d=B610 | Application number of earlier EP application |
| r | B1,B2,B3 | r/d=B620 | Application number of original application |
| r | B1,B2,B3 | r/d=B620EP | Application number of divisional application |
| | | r/d=B540 | |
| r | B1,B2,B3 | r/d=B542 | Title of invention (German) |
| | | r/d=B540 | |
| r | B1,B2,B3 | r/d=B542 | Title of invention (English) |
| | | r/d=B540 | |
| r | B1,B2,B3 | r/d=B542 | Title of invention (French) |
| | | r/d=B860 | |
| r | B1,B2,B3 | r/d=B870 | PCT data |
| r | B1,B2,B3 | r/d=B781 | Opposition |
| r | B1,B2,B3 | r/d=B781 | Opposition admissible |
| r | B1,B2,B3 | r/d=B781 | Opposition inadmissible |
| r | B1,B2,B3 | r/d=B781 | Opposition deemed not to be filed |
| r | B1,B2,B3 | r/d=B781 | Opposition withdrawn |
| r | B1,B2,B3 | r/d=B781 | Intervention Art. 105 EPC |
| r | B1,B2,B3 | r/d=B781 | Intervention admissible |
| r | B1,B2,B3 | r/d=B781 | Intervention inadmissible |
| r | B1,B2,B3 | r/d=B781 | Intervention deemed not to be filed |
| r | B1,B2,B3 | r/d=B781 | Intervention withdrawn |
| r | B1,B2,B3 | r/d=B787 | Rejection of the opposition |
| r | B1,B2,B3 | r/d=B239 | Revocation of the EP patent |
| | | | Date of receipt of request |
| r | B1,B2,B3 | r/d=B238EP | for re-establishment of rights |
| | | r/d=B238 | Date and purport of decision on request for request |
| r | B1,B2,B3 | r/d=B004EP | for re-establishment of rights |
| | | r/d=B245 | Date of suspension in case referred to Rule 14. |
| r | B1,B2,B3 | r/d=B245EP | Note: Tag B245EP contains value '1' |
| | | r/d=B245 | |
| r | B1,B2,B3 | r/d=B245EP | Date of interruption in case referred to Rule 142 |
| | | | Date of resumption in case referred to Rule 14. |
| r | B1,B2,B3 | r/d=B246 | Note: Tag B245EP contains value '1' |
| r | B1,B2,B3 | r/d=B246 | Date of resumption in case referred to Rule 142 |

| | | | |
|----------|----------|-------------------------------------|--|
| r | B1,B2,B3 | r/d=B450 r/d=B130 r/d=B477 | Date & kind of publication B1 publication |
| r | B1,B2,B3 | r/d=B130 r,d=B243 r/d=B4530EP | Date & kind of publication of B2 publication |
| r | B1,B2,B3 | r/d=B130 | Date & kind of publication of B3 publication |
| r | B1,B2,B3 | r/d=B260 | Publication language |
| r | B1,B2,B3 | r/d=B475 | Date of lapse of the EP patent |
| r | B1,B2,B3 | r/d=B451EP | Announcement to grant |
| r | B1,B2,B3 | r/d=B050EP | Miscellaneous |
| r | B1,B2,B3 | r/d=B788 | Termination of opposition procedure |
| r | B1,B2,B3 | r/d=B844EP | Extended states |
| r | B1,B2,B3 | r/d=B848EP | Validated states |
| r | B1,B2,B3 | r/d=B781 | Inadmissible opposition |
| r | B1,B2,B3 | r/d=B781 | Opposition deemed not to have been filed |
| r | B1,B2,B3 | r/d=B078EP | No opposition filed |
| r | B1,B2,B3 | r/d=B730 | Proprietor of the patent (name/address) |
| c | B8,B9 | | Correction on Patents |
| n | B3 | | Limited patent B3 |