



EBD - EPO Bibliographic Data - Specifications

Version 3.2
 September 2007

<ep-bulletin>

XML

</ep-bulletin>

EBD - EPO Bibliographic Data Specifications
Version 3.2
September 11, 2007

Document status: Production version as at Friday, 23 November 2007

Change: Update to conform to EPC 2000 (comes into force 13 December, 2007)

**Note: This document (and DTDs) comes into force in
publication week 48, 2007 (on the secure site for National
Offices)
and publication week 52 (public site)**

© European Patent Office

Contact:

EPO Procedural and Technical Support
European Patent Office
Patentlaan 2
NL-2280 HV Rijswijk
The Netherlands

Tel. +31 - (0)70 - 340 4500

Fax +31 - (0)70 - 340 4600

e-mail: support@epo.org

The latest version of this document may be found at: www.epoline.org (in the EBD section)

Please send any comments and/or corrections to the address above.

EPO internal document source: Lotus Notes Datimtex/R Doc. Library

TABLE OF CONTENTS

Summary of changes in Version 3	6
Summary of changes in Version 3.1	6
Summary of changes in Version 3.2	7
Introduction	8
Data description	9
Overview of bibliographic data flow	12
References	15
Table of tags	16
Item description and general considerations	27
Kinds of EP patent documents	29
Corrections	33
XML elements: detailed description	34
<ep-bulletin>: ep-bulletin	34
<B000>: Office specific system/file information	36
<eptags>: EPO specific tags	36
<B001EP>: Selective mask for states involved	36
<B002EP>: Changed tags	38
<B003EP>: Indicator 'no A-document published by EPO'	39
<B004EP>: Re-establishment of rights indicator	39
<B005EP>: Printer/Producer identification	39
<B006EP>: Indicator for international applications	39
<B007EP>: Reserved for EPO internal use	40
<B008EP>: Indicator for "small changes"	40
<B009EP>: Text from B725EP tag in the three EPO official languages"	40
<B010EP>: Other rights and legal means of execution	40
<B015EP>: Number of copies to be printed	41
<B050EP>: Free text	41
<B053EP>: Additional remarks	41
<B070EP>: B publication technical field (subsequently filed technical information)	42
<B075EP>: Petition for review	43
<B078EP>: Date of 'No opposition filed'	43
<B080EP>: Public notification	43
<B090EP>: Limitation procedure	45
<B100>: Document identification	47
<B110>: Publication number of the document (EPO or WIPO)	47
<B120>: Plain language designation	47
<B130>: Kind of document	48
<B132EP>: Original kind code	48
<B133EP>: New kind code	49
<B140>: Date of publication	49
<B150>: Patent correction information	49
<B190>: Publishing country or organisation	52
<B200>: Domestic filing data	53
<B210>: Application number	53
<B220>: Application filing date	55
<B235>: Date of refusal of application	55
<B236>: Date of withdrawal of application	55
<B237>: Date of application deemed withdrawn	55

<B238EP>: Date of receipt of request for re-establishment of rights	55
<B238>: Date of decision for re-establishment of rights.....	55
<B239>: Date of revocation	55
<B241>: Date of request for examination.....	55
<B242>: Date of despatch of the first examination report	55
<B243>: Date of 'patent maintained as amended'.....	55
<B244>: Request for conversion (to national application) under EPC	
Article 135	56
<B245>: Date of suspension (Rule 13) / Interruption (Rule 90) of proceedings	56
<B245EP>: Suspension/Interruption indicator.....	56
<B246>: Date of resumption of proceedings (Rule 13 / Rule 90).....	57
<B250>: Filing language	57
<B251EP>: Procedure language.....	57
<B260>: Publication language	58
<B300>, <B310>, <B320>, <B330>: Priority data.....	59
<B400>: Public availability dates.....	61
<B405>: Patent Bulletin / Gazette information	61
<B430>: Unexamined document without grant (first publication)	61
<B450>: Document with grant (second publication).....	62
<B451EP>: Date of announcement of intention to grant	62
<B452EP>: Date of announcement of intention to grant (after 01.07.2002)...	62
<B472>, <B475>: Term of grant, lapse	62
<B477>: Document printed as amended, third level of publication (e.g. EPO 'B2')	
.....	63
<B480>: Corrigendum issued data.....	64
<B500>: Technical Data.....	65
<B510>: International Patent Classification (IPC)	65
<B510EP>: New International Patent Classification (IPC8)	67
<B540>: Title.....	71
<B560>: List of prior art documents	72
<B565EP>: Date of drawing up and despatch of supplementary search report	72
<B566EP>: Date of dispatch for correction to the search report	72
<B598>: Figure number on first (title) page, abstract drawing.....	72
<B600>: References to other legally or procedurally related domestic patent	
documents	73
<B610>: Earlier document information.....	73
<B620>: Parent application data	73
<B620EP>: Divisional application(s)	74
<B690>: Previously filed application	76
<B700>: Parties concerned with the document.....	77
<B710>: Applicants	77
<B720>: Inventors.....	78
<B730>: Grantees.....	81
<B740>: Attorney/agent of the applicant(s).....	83
<B780>: Opposition(s)	83
<B790>: Licence(s)	89
<B800>: International Convention Data	90
<B830>: Information concerning deposit of microorganisms	90
<B840>: Designated contracting states	90
<B844EP>: States to which the application/patent is extended	91
<B860>: PCT application data	91

<B870>: PCT publication data	93
<B880>: Publication of the deferred search report.....	93
Character set.....	94
Introduction	94

Summary of changes in Version 3

The **main** changes compared with Version 2.2 are:

- The tagging of the data is now XML (WIPO ST.36) compliant compared to SGML (WIPO ST.32)
- Every tag has an end tag
- Some tags are now in lower case eg. <adr>, <city>, <date>
- All attributes are in lower case and the values are in quotes
- There are no “floating” tags:
 -
 is replaced by UTF-8 code 000D – carriage return)
 - <BCHG> and <ECHG> replaced by a new way of indicating changes - see <B002EP> below
- The new IPC standard is introduced (WIPO ST.8)
- The character encoding is now Unicode/UTF-8

Note: 99% of B tags remain the same as in the previous SGML file.

Current users should have few problems converting their systems to these new files. Particular attention should be given to:

- Unicode/UTF-8 encoding – most systems can do this change automatically – the **rendering** (font) of the encoding is left to the user; for example Microsoft Windows users could use Arial Unicode MS
- The way changes are marked up in the new files
- The new IPC coding.

Summary of changes in Version 3.1

- <B510> and <B510EP> details have been updated.

- **WIPO ST.35 will not be used for XML data delivery**
- **Data delivery will only be possible via the *epoline*® website**
- WIPO ST.32 (SGML) and WIPO ST.35 formats will continue to be published on the *epoline*® website into 2008 but users should switch as soon as possible to the XML format **which will be the official EPO data from week 1, 2006.**

Summary of changes in Version 3.2

These changes are made due to the introduction of EPC 2000 articles and rules into the EPO systems starting on 13 December 2007 (see: <http://www.epo.org/patents/law/legislative-initiatives/epc2000.html>). In many cases the actual use of the new articles and rules by applicants is unknown - it may be many months and/or years before this new data ever appears in the EBD files but, of course, we must be ready before then to process the data.

For PHASE 2: ep-bulletin.dtd ver 1.1 (and ep-patent-document.dtd ver 1.2)
the following changes have been made:

- version number of DTD changes
- added sequence attribute to root element
- added B075EP + sub-tags - for petition for review
- added B090EP + sub-tags - for limitation request
- added B690 + sub-tags - for earlier application number

Introduction

1. What are EBD files? EBD stands for EPO Bibliographic Data (it could also be EP Bulletin Data); the files consist of EPO patent data marked up using XML tags; the data gives details of all newly published applications and patents and recent changes to previously published patents. For example, the data includes details of date of filing, titles, applicant data, classification, priority data, etc. These are fairly complex files which require a good understanding of EPO patent procedures.
2. This document describes the format for bibliographic data used for:
 - the EP Bulletin (see: <http://bulletin.european-patent-office.org/>)
 - The EBD website (see <http://ebd2.epoline.org/jsp/index.jsp>)
 - EPO patent publications – the title page (see: <https://publications.european-patent-office.org/PublicationServer/search.jsp>) and
 - EPO bibliographic data exchange.

The mark up of the data conforms to WIPO Standard ST.36 (see <http://www.wipo.int/scit/en/standards/standards.htm>)

3. The format provides for a system independent data format, using XML. (Note that the full text and images of all EP A and B documents are also available in ST.36 (XML) format).
4. The EBD files are available at: <http://ebd2.epoline.org/jsp/index.jsp>. **Check the website for the latest updates – including changes to this document.**
5. The application of the standard for bibliographic data processing is described below. As stated, it should be noted that these files contain fairly complex data and a good knowledge of EPO patent rules and formalities is required to make full use of the data, which includes a careful study of this document.
6. The XML Document Type Definition - DTD - ep-bulletin.dtd - can be found on the **epoline**® EBD website.
7. Note: not all data elements in ST.36 and the ep-bulletin.dtd are used by the EPO; only the ones used are described in this document.

Data description

1. The bibliographic data described below includes all the information according to Rule 92(1) of the EPC (European Patent Convention). That is:

Rule 92 - Entries in the Register of European Patents

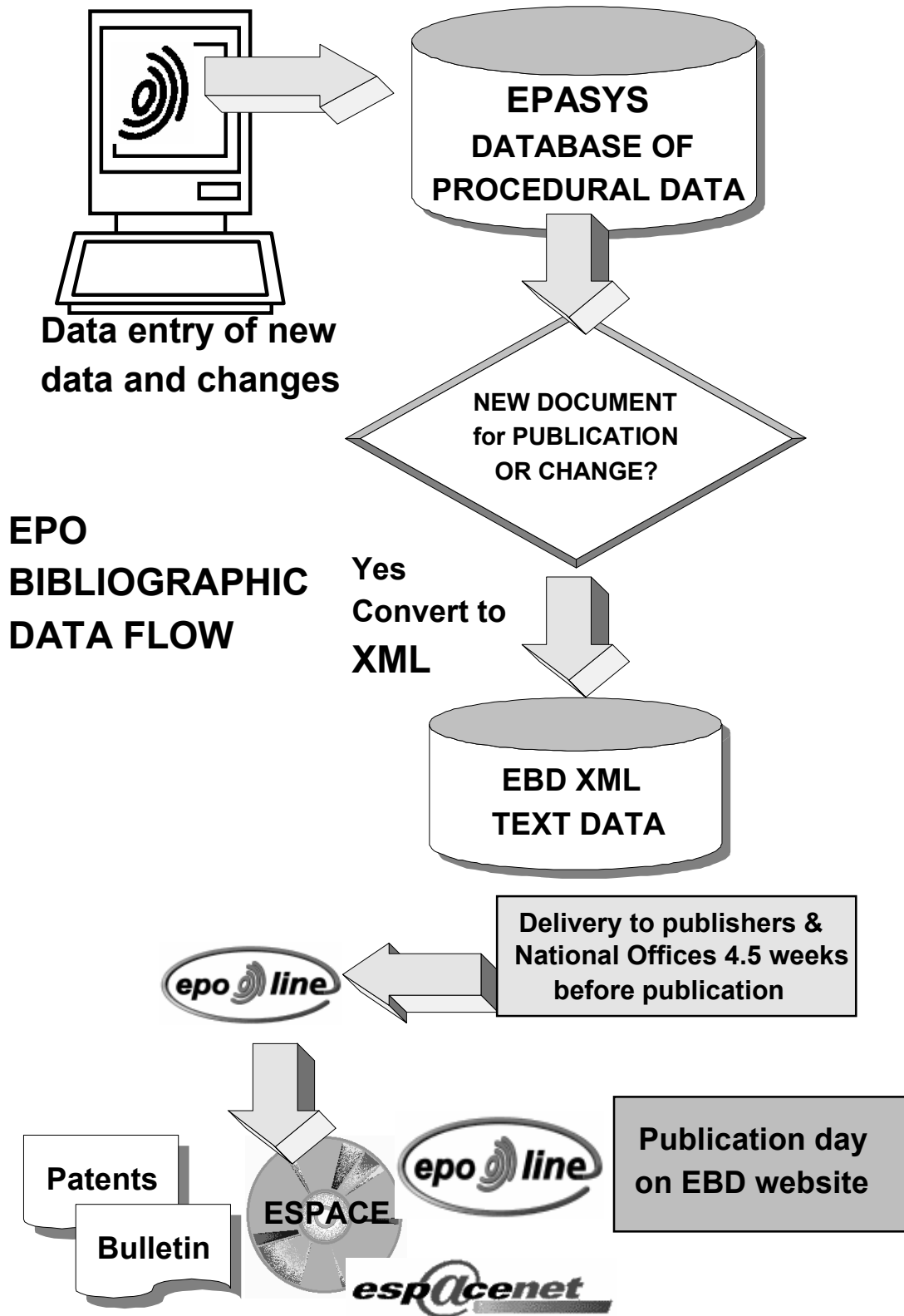
- (1) The Register of European Patents shall contain the following entries:
 - (a) number of the European patent application;
 - (b) date of filing of the European patent application;
 - (c) title of the invention;
 - (d) classification code given to the European patent application;
 - (e) the Contracting States designated;
 - (f) family name, given names, address and the State in which the residence or principal place of business of the applicant for or proprietor of the European patent is located;
 - (g) family name, given names and address of the inventor designated by the applicant for or proprietor of the patent unless he has renounced his title as inventor under Rule 18, paragraph 3;
 - (h) family name, given names and address of the place of business of the representative of the applicant for or proprietor of the patent referred to in Article 134; in the case of several representatives only the family name, given names and address of the place of business of the representative first named, followed by the words "and others", shall be entered; however, in the case of an association referred to in Rule 101, paragraph 9, only the name and address of the association shall be entered;
 - (i) priority data (date, State and file number of the previous application);
 - (j) in the event of a division of the European patent application, the numbers of the European divisional applications;
 - (k) in the case of European divisional applications and a new European patent application under Article 61, paragraph 1(b), the information referred to under sub-paragraphs (a), (b) and (i) with regard to the earlier European patent application;
 - (l) date of publication of the European patent application and where appropriate date of the separate publication of the European search report;
 - (m) date of filing of the request for examination;
 - (n) date on which the European patent application is refused, withdrawn or deemed to be withdrawn;
 - (o) date of publication of the mention of the grant of the European patent;
 - (p) date of lapse of the European patent in a Contracting State during the opposition period and, where appropriate, pending a final decision on opposition;

- (q) date of filing opposition;
- (r) date and purport of the decision on opposition;
- (s) dates of suspension and resumption of proceedings in the cases referred to in Rule 13;
- (t) dates of interruption and resumption of proceedings in the case referred to in Rule 90;
- (u) date of re-establishment of rights provided that an entry has been made in accordance with sub-paragraph (n) or sub-paragraph (r);
- (v) the filing of a request to the European Patent Office pursuant to Article 135;
- (w) rights and transfer of such rights over a European patent application or European patent where these are recorded pursuant to these Implementing Regulations.

2. This information allows users to keep European Patent Register information up-to-date. For details about the EPO Patent Register see: www.epoline.org. The big differences between the Register and EBD files are:
 - 2.1 The register provides complete historical data for a patent file plus other information not included in Rule 92. The EBD covers one publication week and all new and changed data during that week.
 - 2.2 The EBD provides bulk data (for a publication week only) which can be downloaded for database updates etc. The Register deals with individual files only.
3. It must be stressed that this format will be used only for EP publication data and not necessarily, for example, from other EPO systems such as DOCDB and EPOQUE.
4. All data in the EBD format is extracted from the EPO's EPASYS database - a database which contains all procedural data regarding European patent documents. EPASYS data input is the responsibility of many EPO staff (examiners and formalities officers) with many thousands of transactions taking place per day. No new data content is added during the conversion to the EBD format (except XML tags) - we can only process what is in the EPASYS database. If there is a mistake in EPASYS, for example, there will be a mistake in the EBD data.
5. Once per week there is a so called 'publication run' which extracts from EPASYS the data required for the publication of EP A and B publications, the EP Bulletin and for data exchange purposes. It is at this time that the bibliographic data file is created. Therefore, the data is a 'photograph' of all the previous weeks additions, changes, etc. in EPASYS.
6. It should be noted that the EBD file is not a cumulative record of all the changes which may have been made to a file (for this users should refer to the Register of European Patents (see above) - it is a 'snap shot' of only those changes which occurred in a particular publication week. In addition there is a clear distinction between A and B publications (separate files) since these are

separate documents for publication purposes - therefore, the B file is not an update of the A file; it is a file in its own right (extracted from EPASYS) - although, of course, much of the data may be the same in both files.

Overview of bibliographic data flow



In terms of volume and size of data a typical week's bibliographic data consists of:

New (first) EP publications:

A1 and A2	:	1372 Docs
A3	:	479 Docs
B1	:	1205 Docs
B2	:	11 Docs

Euro PCT : 1237 Docs

Changed EP publications:

A1 and A2	:	2929 Docs
B1 and B2	:	1600 Docs

WIPO publications:

WIPO 2(1)	:	689 Docs
WIPO 2(2)	:	181 Docs

Note: when stored on *epoline*® all these files will be 'zipped' to create a zip file with an average size of 6 to 7MB, containing two files: one for all A publications and one for all B publications - these will extract to, say, 36 and 8 MB respectively.

7. When extracting the data from EPASYS we have split the job into the following parts:

7.1 A1 and A2: EP patent applications and Euro-PCT's (Art. 158(3)) which have not been published in one of the three EPO languages.

These are listed in the EP Bulletin in Section I.1(2)

7.2 A3: EP patent applications (Title page plus search report)

These are listed in the EP Bulletin in Section I.1(3)

7.3 B1: EP patent specifications

These are listed in the EP Bulletin in Section II.1(1)

7.4 B2: EP patent specifications

These are listed in the EP Bulletin in Section II.1(2)

7.5 Euro-PCT applications:

International applications which have entered the European phase (Art 158(1)). These are listed in the EP Bulletin in Section I.1(1) which contains all Euro-PCT applications for which the EPO has not printed the A-document. To

identify these applications in the Bulletin Section I.1(1), an asterisk '*' is printed next to the publication number.

7.6 International applications not entering the European phase.

These are listed in the EP Bulletin in Section I.2 which contains all international applications which have not paid the fees in due time and therefore are not entering the European phase.

7.7 A-patent application changes

These are listed in the EP Bulletin in Section I.12

7.8 B-patent specification changes

These are listed in the EP Bulletin in Section II.12

8. The new EP publications:

A1, A2 and A3: EP patent applications
B1 and B2: EP patent specifications

need little explanation - these are the documents coded as "ready for publication" six weeks after the publication run date. Therefore, for example, the EPO publication contractors will use this data, together with data previously captured by them, eg. description and drawings, to create and print the final patent documents for that week.

9. Changed EP documents:

These need more explanation - especially on the size of the two files: generally over 10 MB altogether.

In the EP Bulletin only brief details are given of changes to published documents. The most common changes, for A documents, for example, are shown in Section I.7: "Date of filing of request for examination", with the following format:

(11) 0 851 243 13.10.1999

In the XML file ALL the data for this publication would be given.

References

The following documents are of importance to this document:

WIPO Standard ST.36: Recommendation for the Processing of Patent Information using XML

WIPO Standard ST.3, Two-Letter code for countries, organizations etc.

WIPO Standard ST.8, Recording of international patent classification (IPC)

WIPO Standard ST.9, Recommendation concerning bibliographic data on and relating to patent documents.

WIPO Standard ST.50, Guidelines for Issuing corrections, alterations and supplements relating to patent information

Note: These standards can be viewed/downloaded from the WIPO Internet site:
www.wipo.int/scit/en/standards/standards.htm

Extensible Markup Language (XML) 1.0 (Third Edition). W3C Recommendation 4th February 2004, François Yergeau, Tim Bray, Jean Paoli, C. M. Sperberg-McQueen, Eve Maler (see: <http://www.w3.org/XML/>)

International Standard ISO 639:1988, Code for the representation of names of languages.

The Unicode Standard, Version 4.0 (see: <http://www.unicode.org/>)

Table of tags

These tables do **not** include all bibliographic tags listed in WIPO ST.36 and in the DTD; only those required for the Bulletin-EBD format. The table is followed by a detailed description of each tag and example mark up.

Key to column headers:

INID: an acronym for “Internationally agreed Numbers for the Identification of (bibliographic) Data.”: a list of approximately 60 distinct bibliographic data widely used on the first page of patent documents or in Patent Gazettes. (See WIPO ST.9)

Rep tag: Repeat tag

INID code	Rep Tag	Bibliographic tag				Description
		ep-bulletin				The route tag for each patent bibliographic file
		SDOBI				Sub-DOcument for Bibliographic data
		B000				Office specific system/file information
		EPTAGS				EPO specific tags
			B001EP			Selective mask for states involved
			B002EP			Changed tags
			B003EP			EURO-PCT applications for which no EPO.A-document published
			B004EP			Re-establishment of rights indicator
			B005EP			Printer identification
			B006EP			Indicator for international applications
			B007EP			Reserved for EPO internal use
			B008EP			Indicator for small changes
			B009EP			Text from B725EP tag in the three EPO official languages
				text		Each language within text tag
			B010EP			Other rights and legal means of execution
	R			B011EP		Date, serial number & states concerned
					date	Date of notification

INID code	Rep Tag	Bibliographic tag				Description
					dnum	Serial number of the legal right
					text	Sequence counter
	R				ctry	Country code (States concerned)
			B015EP			Number of documents to be printed
			B050EP			Free text
	R					Language and text
				B051EP		Language
				B052EP		Text
	R		B053EP			Additional remarks
			B070EP			B publication technical field (subsequently filed technical information)
			B078EP	date		Date of 'No opposition filed'
			B075EP			Petition for reviews
	R			B0750EP		Petition for review
					B0751EP	Appeal number
					B0752EP	Petitioner code
					B0753EP	<date> Date of notice of petition
					B0755EP	<date> Date of decision
					B0756EP	Kind of decision
			B080EP			Public notification
				B081EP		Inspection place
				B082EP		Addressee
					snm	Name
					adr	Address
					str	Street
					city	City, town
					ctry	Country
				B083EP		Free text

			B090EP			Limitation procedures
	R			B0900EP		Limitation procedure
					B0911EP	Limitation filing
						B0911EP <date> Limitation filing date
						B0912EP Limitation filing kind
						B0913EP Limitation filing decision
						B0914EP <date> Limitation payment date
10		B100				Document identification
11			B110			Number of the document (EPO or WIPO publication)
12			B120			Plain language designation
			B121			Plain language designation of the kind of document
			B121EP			Descriptive text for B121 (EPO)
13		B130				Kind of document
		B132EP				Original kind code
		B133EP				New kind code
		B140	date			Document date, usually date of publication
15		B150				Patent correction information
			B151			Supplementary correction code
			B152	date		Issue date of announced correction being cancelled.
			B153			Affected INID codes
			B154			Standard notes
	R			B1541		Note language
	R			B1542		Note text
			B155			Affected parts of document
	R			B1551		Part language
	R			B1552		Part text
		B190				Publishing country or organisation
20		B200				Domestic filing data

21		B210				Number assigned to the application (EPO no.)
22		B220	date			Application filing date
23		B230				Other dates
			B235	date		Date of refusal of application
			B236	date		Date of withdrawal of application
			B237	date		Date of application deemed withdrawn
			B238EP	date		Date of receipt of request for re-establishment of rights
			B238	date		Date of decision for re-establishment of rights
			B239	date		Date of revocation
24		B240				Dates from which industrial property rights may have effect
			B241	date		Date of request for examination
			B242	date		Date of despatch of the first examination report
			B243	date		Date of 'patent maintained as amended'
			B244			Request for conversion under Article 135
				date		Date of the request for conversion to National application
				ctry		Country code (States concerned)
			B245	date		Date of suspension (Rule 13) / Interruption (Rule 90) of proceedings
			B245EP			Suspension/Interruption indicator
			B246	date		Date of resumption of proceedings (Rule 13 / Rule 90)
25		B250				Filing language
		B251EP				Procedure language
26		B260				Publication language
30		B300				Priority data
	R					Priority elements
31			B310			Number
32			B320	date		Date

33			B330	ctry		Country in which the priority application was filed
40		B400				Public availability dates
		B405				Patent Bulletin / Gazette information
			date			Publication date
			bnum			Issue number of the Bulletin
43		B430				Unexamined document without grant (first publication)
			date			Publication date
			bnum			Issue number of the Bulletin
45		B450				Document with grant (second publication)
			date			Publication date
			bnum			Issue number of the Bulletin
		B451EP	date			Date of announcement of intention to grant without preceding Examination report.
		B452EP	date			Date of announcement of intention to grant without preceding Examination report (after 01.07.2002).
		B472				Term of grant
			B475			Lapse of a patent
	R					Lapse elements
				date		Date of lapse
				ctry		Country code (State concerned)
		B477				Document printed as amended, third level of publication (e.g EPO 'B2')
			date			Publication date
			bnum			Issue number of the Bulletin
48		B480				Date of issuance of corrected patent document
			date			Publication date
			bnum			Issue number of the Bulletin
50		B500				Technical Data
		B510				International patent classification
			B516			Edition of IPC

51			B511			Main classification (IPCL)
51	R		B512			Further classification (OBSC)
	R		B513			Additional information. (NOSC)
	R		B514			Linked indexing code. (NOSC)
	R		B515			Unlinked indexing code. (NOSC)
			B517EP			Non obligatory supplementary classification as one string. (NOSC)
51		B510EP classification-ipcr (see detail below)				International patent classification (IPCR – in force 01-2006)
54		B540				Title
	R					Language and text
			B541			Language of the title
			B542			Title of the invention
56		B560				List of prior art documents
	R		B561			Patent citation
				text		The actual citation
	R		B562			Non patent citation
				text		The actual citation
			B565EP	date		Date of drawing up and despatch of supplementary search report
			B566EP	date		Date of dispatch for correction to the search report
		B590				Information about specifications and drawings
			B598			Figure number on first (title) page, abstract drawing
60		B600				References to other legally or procedurally related domestic patent documents
61		B610				Earlier document information
		parent				Parent relation
			pdoc			Earlier document data
				dnum	text	Document number
					anum	Application number
					pnum	Publication number
				date		Date of receipt

60		B620				Parent application
		parent				Parent relation
	R		pdoc			Parent application data
				dnum	text	Document number
					anum	Application number
					pnum	Publication number
				date		Date of receipt
62		B620EP				Divisional application(s)
		parent				Parent relation
	R		cdoc			Divisional application data
				dnum	text	Document number
					anum	Application number
					pnum	Publication number
				date		Date of receipt
		B665				Patent correction information
			B666			Date of publication of the corrected document (date & kind)
				date		Date
				kind		Kind
			B667			Type of correction
69		B690				Previously filed application
			dnum			Document number
				text		Document number
				anum		Application number
				pnum		Publication number
			date			Date of filing
			ctry			Country code
70		B700				Parties concerned with the document
71		B710				Applicants
	R		B711			Applicant data
				snm		Name
				iid		EPO number of the Applicant
				irf		Reference from the Applicant

	R			syn		Synonym cross reference for the Applicant
				adr		Address
					str	Street
					city	Town
					ctry	Country code
				B716EP		Designated states for the applicant Used only when some of the designated states are mentioned
	R				ctry	Country code
				B717EP		Designated extension for the applicant Used only when some of the extended states are mentioned
	R				ctry	Country code
				B718EP	date	Effective date for transfer of rights
72		B720				Inventors
	R		B721			Inventor data
				snm		Name
				adr		Address
					str	Street
					city	Town
					ctry	Country code
				B725EP		The inventor has agreed to waive his entitlement to designation
					text	Text for entitlement to designation
73		B730				Grantees
	R		B730			Grantees data
				snm		Name
				iid		EPO number of the Grantee
				irf		Reference from the Grantee
	R			syn		Synonym cross reference for the Grantee
				adr		Address
					str	Street
					city	Town
					ctry	Country code

				B736EP		Designated states for the grantee Used only when some of the designated states are mentioned
	R				ctry	Country code
				B737EP		Designated extension for the grantee Used only when some of the extended states are mentioned
	R				ctry	Country code
				B738EP	date	Effective date for transfer of rights
74		B740				Attorney/agent of the applicant(s)
	R		B741			Attorney/agent data
				snm		Name
				sfx		Suffix 'et al'
				iid		EPO number of the attorney/agent
				adr		Address
					str	Street
					city	Town
					ctry	Country code
		B780				Opposition(s)
	R		B781			Opponent data
				dnum		Serial number of the opposition
					text	The number
				date		Date of opposition
				kind		Kind code of the result from the examination on admissibility
				snm		Name
				iid		EPO number of the opponent
				adr		Address
					str	Street
					city	Town
					ctry	Country code
				B784		Attorney/agent of the opponent
					snm	Name
					sfx	Suffix 'et al'
					iid	EPO number of the attorney/agent

					adr	Address
					str	Street
					city	Town
					ctry	Country code
			B787	date		Date of rejection of the opposition procedure
			B788	date		Date of termination of the opposition procedure
		B790				Licence(s)
	R		B791			Licence data
				dnum		Serial number of the licence
					text	The number
				date		Date of legal effect of the licence
				kind		Kind of licence
					snm	Name
					liid	EPO number of the licensee
					adr	Address
					str	Street
					city	Town
					ctry	Country code
				B796		Designated states concerned
	R				ctry	Country code
80		B800				International Convention Data
83		B830				Information concerning deposit of microorganisms
			B831			Deposit file number or Request for "expert solution"
84		B840				Designated contracting states
	R		ctry			Country code
		B844EP				States to which the application/patent is extended
	R		B845EP			Extended state data
				ctry		Country code
				date		Date of receipt of payment
				B846EP	date	Date of withdrawal

86		B860				PCT application data
			B861			PCT date of filing & application number
				dnum	text	PCT Document number
					anum	PCT Application number
				date		Date of filing
			B862			Filing language
87		B870				PCT publication data
			B871			PCT date, issue number & publication number
				dnum	text	PCT Document number
					pnum	PCT Publication number
				date		PCT Publication date
				bnum		Issue number of the Gazette
88		B880				Publication of the search report
			date			Publication date
			bnum			Issue number of the Bulletin

Note: "R" in third column (Rep. tag) means that the tag may be repeated.

Item description and general considerations

1. Dates are stored in 8 bytes. The format is always `yyyymmdd`. The date is preceded by the `<date>` tag.
2. The issue number of the Bulletin is stored in 6 bytes in. The format is `yyyynn`. The issue number is preceded by the `<bnum>` tag
3. The values used for country, state or language code fields are according to the Standard ISO/R 639-1967(F). The country code is preceded by the `<ctry>` tag and is always in UPPER case.
4. All elements are closed by an end tag i.e. the 'start tag' with a slash character `</...>`.

Example:

```
<B110> ... data ... </B110>  
<B450><date>20050420</date><bnum>200516</bnum> </B450>
```

5. A few characters, according to the XML standard, are coded as character entity references:

&	: &	- ampersand (the most common)
>	: >	- greater than
<	: <	- less than

Example:

J.A. Kemp & Co. = J.A. Kemp & Co.

6. Euro-PCT applications

WIPO sends application data to the EPO. Later on these applications will be split into:

- Applications **not entering** the European phase because the application is deemed to be withdrawn. These are printed in the Bulletin in "Section I.2".
- Applications **entering** the European phase (Euro-PCT). But there are two categories:
 - A. Applications for which EPO **does print** the A-document. Currently EPO prints, after translation, applications which were filed in Russian, Japanese, Spanish and Chinese. These are printed in the Bulletin in Section I.1(2) together with the EP documents.
 - B. Applications for which EPO **does not print** the A-document because the application was filed in one of the three official languages of the EPO (English, French or German).

These are printed in the Bulletin in "Section I.1(1)".

However, if the file goes forward for substantive examination, etc, the EPO may print the Patent Specification (B-document).

The usage and contents of ep-bulletin (country, doc-number), B110, B190, B003EP and B006EP tags for the cases above is shown in the table below.

Situation	country	Doc-number	B110	B190	B003EP	B006EP
Normal EPO publications These applications are printed in EPO Bulletin "Section I.1(2)".	EP	EPO publ number	EPO publ number	EP	Not used	Not used
WIPO publications with no EPO publication nr. and which are NOT entering the European phase . These applications are printed in the EPO Bulletin "Section I.2". Note: Tag <B237> contains the date when the application is deemed to be withdrawn.	WO	WIPO publ nr	WIPO publ nr	WO	Not used	9121
WIPO publications entering the European phase , (EURO PCT) and the EPO prints the A-document. These applications are printed in the EPO Bulletin "Section I.1(2)"	EP	EPO publ number	EPO publ number	EP	Not used	Not used
WIPO publications entering the European phase , (EURO PCT) and the EPO does not print the A-document. These applications are printed then in EPO Bulletin "Section I.1(1)".	EP	EPO publ number	EPO publ number	EP	* (asterisk)	Not used

Kinds of EP patent documents

1. A1/A2 new publication

ep-bulletin ... kind= A1 or A2
status=n

Example:

```
<ep-bulletin id="EP1024184A1" file="00100234.4" lang="de"
country="EP" doc-number="1024184" kind="A1" date-publ="20050105"
status="n" dtd-version="ep-bulletin-v1-1">
```

```
<B110>1024184</B110>
```

```
<B130>A2</B130>
```

```
<B430>
  <date>20050105
  <bnum>200501
</B430>
```

2. A1/A2 publication deleted

ep-bulletin kind=A1 or A2
status=r

B110 marked as deleted status=d ie. Publication is deleted

B130 marked as deleted status=d.

B430 marked as deleted status=d

Example:

```
<ep-bulletin id="EP1510131A1" file="03077683.5" lang="en"
country="EP" doc-number="1510131" kind="A1" date-publ="20050105"
status="r" dtd-version="ep-bulletin-v1-1">
```

```
<B002EP>
  <ep-chg-info>
    <ep-chg idref="ep-chg0001" btag="B110" date="20041119"
status="d"/>
    <ep-chg idref="ep-chg0002" btag="B130" date="20041119"
status="d"/>
    <ep-chg idref="ep-chg0003" btag="B430" date="20041119"
status="d"/>
  </ep-chg-info>
</B002EP>
```

```
...
<B110 id="ep-chg0001">1510131</B110> . .
```

```
<B130 id="ep-chg0002"></B130> . .
```

```
<B430 id="ep-chg0003"></B430>
```

3. A3 publication deleted

- ep-bulletin kind=A2
- ep-bulletin status=r
- B880 marked as deleted status=d

Example:

```
<ep-bulletin id="EP1407749A2" file="03292493.8" lang="en"
country="EP" doc-number="1407749" kind="A2" date-publ="20050105"
status="r" dtd-version="ep-bulletin-v1-0">

<B002EP>
  <ep-chg-info>
    <ep-chg idref="ep-chg0001" btag="B880" date="20041119"
status="d"/>
  </ep-chg-info>
</B002EP>
. . .
<B880 id="ep-chg0001"></B880>
....
```

4. B1 new publication

- ep-bulletin kind=B1
- ep-bulletin status=n

Example:

```
<ep-bulletin id="EP1104651B1" file="99926835.2" lang="en"
country="EP" doc-number="1104651" kind="B1" date-publ="20050105"
status="n" dtd-version="ep-bulletin-v1-0">

. . .
<B130>B1
</B130>
. . .
<B450>
  <date>20050102
  <bnum>200501
</B450>
```

5. B1 publication deleted

- ep-bulletin kind=B1
- ep-bulletin status=r
- B130 marked as changed status=r
- B450 marked as deleted status=d

```
<ep-bulletin id="EP0950772B1" file="99302798.6" lang="en"
country="EP" doc-number="0950772" kind="B1" date-publ="20050105"
status="r" dtd-version="ep-bulletin-v1-1">. . .
```

```
<B002EP>
  <ep-chg-info>
    <ep-chg idref="ep-chg0001" btag="B130" date="20041119"
status="r"/>
    <ep-chg idref="ep-chg0002" btag="B450" date="20041119"
status="d"/>
  </ep-chg-info>
</B002EP>
```

```
. . . . .
<B130 id="ep-chg0001">A2</B130>
```

```
. . . . .
<B450 id="ep-chg0002"></B450>
```

```
.....
```

6. B2 new publication

- ep-bulletin kind=B2
- ep-bulletin status=n

```
<ep-bulletin id="EP0709426B2" file="95810650.2" lang="de"
country="EP" doc-number="0709426" kind="B2" date-publ="20050105"
status="n" dtd-version="ep-bulletin-v1-1">
```

```
. . .
<B130>B2</B130>
```

```
. . .
<B450>
  <date>20000705
  <bnum>200027
</B450>
```

```
. . .
<B477>
  <date>20050105
  <bnum>200501
</B477>
```

7. B2 publication deleted

- ep-bulletin kind=B2
- ep-bulletin status=r
- B130 marked as changed status=r
- B477 marked as deleted status=d

```
.
```

```
<ep-bulletin id="EP1015504B2" file="98954254.3" lang="en"
country="EP" doc-number="1015504" kind="B2" date-publ="20050105"
status="r" dtd-version="ep-bulletin-v1-1">
```

```
. . .
```

```
<B002EP>
  <ep-chg-info>
    <ep-chg idref="ep-chg0001" btag="B130" date="20041119"
status="r"/>
    <ep-chg idref="ep-chg0002" btag="B477" date="20041119"
status="d"/>
  </ep-chg-info>
</B002EP>
```

```
.....
<B130 id="ep-chg0001">B1</B130>
```

```
.....
<B477 id="ep-chg0002"></B477>
```

```
.....
```


Corrections

1. Printed EP patent applications and patent specifications which have failed to pass the in-house quality assurance inspection, or are reported to be in error by external agencies, are subjected to a corrections procedure. It is estimated that, on average, twenty documents per week are subjected to this procedure, about 0.5% of the total published documents. These documents have the following kind codes:

A8 Correction - reprint of the title page of an A-document

A9 Correction - complete reprint of an A-document

B8 Correction - reprint of the title page of a B-document

B9 Correction - complete reprint of a B-document

2. Therefore, based on a specification which is in accordance with WIPO ST.50: *Guidelines for Issuing corrections, alterations and supplements relating to patent information*, the EPO have implemented an automated corrections procedure.
3. The objectives of the procedure are: to have a centralised registration of documents requiring correction, to include the corrected documents in the weekly delivery of documents to the publishers and the subsequent dissemination of the corrected documents to external agencies.
4. The central registration is by means of a special coding (CORR) carried out by EPO staff in the European Patent Administration (EPASYS) database. This coding consists of 'correction items' which detail the corrections being made and possible re-publication to be done.
5. The EBD file contains additional information concerning the corrections being made. These are specified in more detail below.

XML elements: detailed description

<ep-bulletin>: ep-bulletin

The following attributes are used in this order: -

id=	The country code, application number and the kind code
file=	Application number with check digit
lang=	Language of publication code "en", "fr" or "de"
country=	Publishing country or organisation – EP or WO
doc-num=	Number of the document, (EPO or WIPO publication number). Same value as <B110>
kind=	Kind of document. Same value as <B130>. unless <B130> has a coding.
correction-code=	Correction code according to WIPO ST.50, eg. W1
date-publ=	Document date of publication. Format is yyyyymmdd
status=	Status of the application. The current values used are: n : New publication e.g. A1, A2, B1 or B2 published for the first time. r : Replacement of data for an application already published. d : Deletion of an application already published (not used to date) c : Correction
dtd-version=	The version number of the Document Type Definition

Examples:

```
<?xml version="1.0" encoding="UTF-8" ?>
<!DOCTYPE ep-bulletin PUBLIC "-//EPO//EP BULLETIN 1.1//EN" "ep-
bulletin-v1-1.dtd">
<ep-bulletin id="EP1024184A1" file="00100234.4" lang="de"
country="EP" doc-number="1024184" kind="A1" date-publ="20050104"
status="r" dtd-version="ep-bulletin-v1-1">
```

```
<?xml version="1.0" encoding="UTF-8"?>
<!DOCTYPE ep-bulletin PUBLIC "-//EPO//EP BULLETIN 1.1//EN" "ep-
bulletin-v1-1.dtd">
<ep-bulletin id="EP00100102A2" file="00100102.3" lang="en"
country="EP" doc-number="1018688" kind="A2" date-publ="20060104"
status="r" dtd-version="ep-bulletin-v1-1">
```

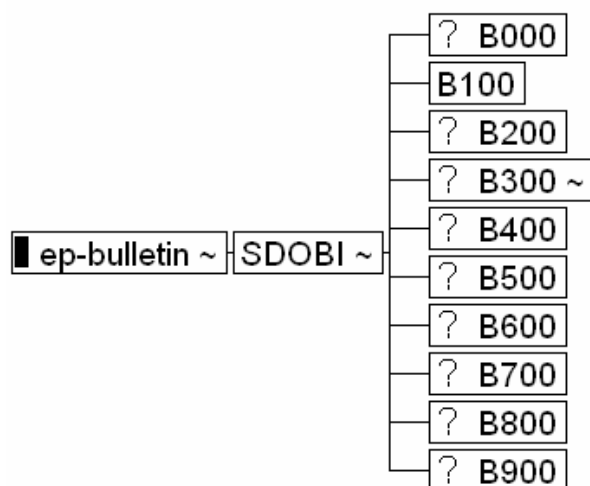
```
<?xml version="1.0" encoding="UTF-8"?>
<!DOCTYPE ep-bulletin PUBLIC "-//EPO//EP BULLETIN 1.1//EN" "ep-
bulletin-v1-1.dtd">
<ep-bulletin id="EP00115135B9W1" file="00115135.6" lang="en"
country="EP" doc-number="1049079" kind="B9" correction-code="W1"
date-publ="20060104" status="c" dtd-version="ep-bulletin-v1-1">
```

Note: each file starts with:

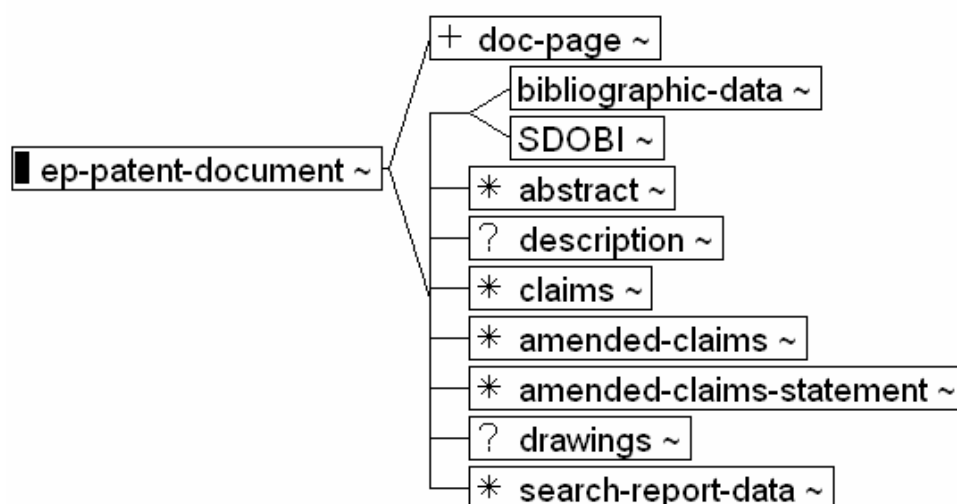
```
<?xml version="1.0" encoding="UTF-8" ?>
<!DOCTYPE ep-bulletin PUBLIC "-//EPO//EP BULLETIN 1.1//EN" "ep-
bulletin-v1-1.dtd">
```

This prolog and declaration are required for XML files. Each file (document instance) starts with these two lines and `<ep-bulletin . . . >` and ends with `</ep-bulletin>`

The basic structure of the DTD is as follows (? = optional):



Note: when the file is merged with the full text of the patent document then we use a different DTD: ep-patent-document.dtd; however, all the data elements found in `<SDOBI>` remain exactly the same. The basic structure of this DTD is as follows:



In the model above EITHER `<bibliographic-data>` OR `<SDOBI>` may be used; for the EPO publication system and files we will stick to `<SDOBI>` for the foreseeable future since many other systems and clients use this format. It is intended that there should be a one-to-one relationship between the elements in both models.

<SDOI>: Sub-DOcument for Bibliographic data

This tag is kept for backward compatibility with old SGML files; for this reason it is also kept in the main publication DTD: ep-patent-document – see above.

Attribute:

lang= Publication language. Same value as <B260>.

Example:

```
<SDOI lang="en">
```

<B000>: Office specific system/file information**<eptags>: EPO specific tags**

Again, kept for backward compatibility and to avoid unnecessary changes. Under ST.36 rules this should really be: <ep-tags> or the like. Tags within this group may be changed at the discretion of the EPO.

<B001EP>: Selective mask for states involved

Mask for a selection on a particular state involved either by designation or extension. It contains all the states involved in the previously published situation as well as the current situation.

Every state has a fixed position within the mask reflecting the country code if the state has been mentioned, otherwise, if not present, it contains two dots.

Position	Country code	Country name
01-02	AT	Austria
03-04	BE	Belgium
05-06	CH	Switzerland
07-08	DE	Germany
09-10	DK	Denmark
11-12	ES	Spain
13-14	FR	France
15-16	GB	United Kingdom
17-18	GR	Greece
19-20	IT	Italy
21-22	LI	Liechtenstein
23-24	LU	Luxembourg
25-26	NL	Netherlands
27-28	SE	Sweden
29-30	MC	Monaco
31-32	PT	Portugal
33-34	IE	Ireland
35-36	SI	Slovenia
37-38	LT	Lithuania
39-40	LV	Latvia
41-42	FI	Finland

43-44	RO	Romania
45-46	MK	Macedonia*
47-48	CY	Cyprus
49-50	AL	Albania*
51-52	TR	Turkey
53-54	BG	Bulgaria
55-56	CZ	Czech Republic
57-58	EE	Estonia
59-60	HU	Hungary
61-62	PL	Poland
63-64	SK	Slovakia
65-66	BA	Bosnia and Herzegovina*
67-68	HR	Croatia*
69-70	IS	Iceland
71-72	YU	Serbia and Montenegro*
73-74	MT	Malta
75-80	Reserved	

* = "Extension states", also recognise European patent applications and patents on their territory.

Note: The states codes stored in this tag are not necessarily the same state codes as in tag <B840> 'Designated contracting states'; eg. when a state has been deleted, the tag <B840> contains the new situation of the Designated contracting states, however tag <B001EP> still contains the states codes from the previous publication week.

Example (all current states, 2007):

```
<B001EP>ATBECHDEDKESFRGBGRITLILUNLSEMCPTIESILTLVFIROMKCYALTRBGCZEEHUP
LSKBAHRISYUMT.....</B001EP>
```

```
<B001EP>...BE..DE....FRGB..IT....NLSE.....</B001EP>
```

<B002EP>: Changed tags

This is a "container" for indicating all changes within a file; it contains the tags:

<ep-chg-info> and <ep-chg>

<ep-chg-info>

Container for:

<ep-chg>

This tag gives the details of where in the file (which Bnnn tag) changes have been made; it has the following attributes giving details of the change:

Attributes:

idref = reference to the id of the Bnnn tag changed
btag = the actual tag where data has changed eg. B240
date = date of the change
status = type of change, the values for the EPO are:
n = new data, inserted data
r = replacement data
d = deleted data

Examples:

```
<B002EP>
  <ep-chg-info>
    <ep-chg idref="ep-chg0001" btag="B542" date="20041118"
      status="r"/>
    <ep-chg idref="ep-chg0002" btag="B542" date="20041118"
      status="r"/>
    <ep-chg idref="ep-chg0003" btag="B542" date="20041118"
      status="r"/>
  </ep-chg-info>
</B002EP>
```

In this example the title has been replaced in the three languages:

```
<B540>
  <B541>de</B541>
  <B542 id="ep-chg0001">Verfahren zum Aufschäumen eines
  metallischen Werkstoffes</B542>
  <B541>en</B541>
  <B542 id="ep-chg0002">Process for foaming metallic
  articles</B542>
  <B541>fr</B541>
  <B542 id="ep-chg0003">Procédé pour le moussage d'articles
  métalliques</B542>
</B540>
```

```
<B002EP>
  <ep-chg-info>
    <ep-chg idref="ep-chg0001" btag="B840" date="20041113"
      status="n"/>
  </ep-chg-info>
</B002EP>

<B840 id="ep-chg0001">
  <ctry>DE</ctry><ctry>FR</ctry><ctry>GB</ctry><ctry>NL</ctry>
</B840>
```

<ep-chg> is recursive to allow for history of changes - changes to changes - possibly to be used in the EP register; recursion will **not** be used in the EBD.

<B003EP>: Indicator 'no A-document published by EPO'

This field contains an '*' (asterisk) for the EURO-PCT applications for which **no** A-document has been published by the EPO because it was filed with WIPO in one of the official languages of the EPO.

<B004EP>: Re-establishment of rights indicator

It contains the code of the decision after a request for re-establishment of rights.

The values used by the EPO are:

- 2 : Request not accepted
- 3 : Request accepted

Note: Used together with <B238>.

<B005EP>: Printer/Producer identification

<B006EP>: Indicator for international applications

This tag identifies the type of International applications. The values used by the EPO are:

- 9120 : Entering the European phase
- 9121 : Not Entering the European phase

```
<B006EP>9120</B006EP>
```

<B007EP>: Reserved for EPO internal use

This tag is reserved for EPO internal use.

<B008EP>: Indicator for "small changes"

This tag identifies "small changes" which are not printed in the EPO Bulletin such as removing the country code in the postcode. Currently and when present it contains the value 8.

<B009EP>: Text from B725EP tag in the three EPO official languages"

This tag will contain the text stored in tag <B725EP> in EPO official languages ie. German, English and French to print in the EPO Bulletin. See Tag <B720>.

The text language order is German, English and French.

Example:

```
<B009EP>
  <text>Der weitere Erfinder hat auf seine Nennung
  verzichtet</text>
  <text>The other inventor has agreed to waive his entitlement to
  designation</text>
  <text>L'autre inventeur a renoncé à sa désignation</text>
</B009EP>
```

<B010EP>: Other rights and legal means of execution

```
<B010EP>
  <B011EP>
    <date>Date of notification</date>
    <dnum><text>sequence number of <B011EP> tag (this is
    repeatable data</text></dnum>
    <ctry>Country code (States concerned)</ctry>
  </B011EP>
</B010EP>
```

Example:

```
<B010EP>
  <B011EP>
    <date>20041103</date>
    <dnum>
      <text>01</text>
    </dnum>
    <ctry>DE</ctry>
```



```
        <ctry>ES</ctry>
        <ctry>FR</ctry>
        <ctry>GB</ctry>
        <ctry>IT</ctry>
    </B011EP>
</B010EP>
```

<B015EP>: Number of copies to be printed

<B050EP>: Free text

```
<B050EP>
    <B051EP> Language
        The values used are:
        de : German text
        en : English text
        fr : French text
    <B052EP> Free Text
</B050EP>
```

Example:

```
<B050EP>
    <B051EP>de</B051EP>
    <B052EP>Teilanmeldung 92117411.6 eingereicht am
    06/11/87.</B052EP>
    <B051EP>en</B051EP>
    <B052EP>Divisional application 92117411.6 filed on
    06/11/87.</B052EP>
    <B051EP>fr</B051EP>
    <B052EP>Demande divisionnaire 92117411.6 déposée le
    06/11/87.</B052EP>
</B050EP>
```

<B053EP>: Additional remarks

Examples:

```
<B053EP>Geänderte Patentansprüche gemäss Regel 86(2) EPÜ</B053EP>
```

```
<B053EP>Diese Anmeldung ist am 03 - 07 - 2004 als Teilanmeldung zu
der unter INID-Kode 62 erwähnten Anmeldung eingereicht
worden.</B053EP>
```

```
<B053EP>This application was filed on 28 - 02 - 2002 as a divisional
application to the application mentioned under INID code 62.</B053EP>
```

```
<B053EP>A request for correction of the drawings has been filed
pursuant to Rule 88 EPC. A decision on the request will be taken
```

during the proceedings before the Examining Division (Guidelines for Examination in the EPO, A-V, 3.).</B053EP>

<B053EP>Cette demande a été déposée le 27 - 07 - 2004 comme demande divisionnaire de la demande mentionnée sous le code INID 62.</B053EP>

<B053EP>Le listage des séquences, qui est publié en annexe aux documents de la demande, a été produit après la date de dépôt. Le demandeur a déclaré qu'il ne contient pas d'élément s'étendant au-delà du contenu de la demande telle qu'elle a été déposée.</B053EP>

<B070EP>: B publication technical field (subsequently filed technical information)

Example:

<B070EP>The file contains technical information submitted after the application was filed and not included in this specification
</B070EP>

<B075EP>: Petition for review

EPC2000: new procedure enabling any party to appeal proceedings adversely affected by the decision of the Board of Appeal to file a petition for review of the decision by the Enlarged Board of Appeal (EBA).

This information is only published when the decision is known.

<B0750EP review-number="Xnnnnn/nn">	Petition for review number (As we can have multiple petitions for review). Comprises a unique number for a given year, e.g. R0001/08
<B0751EP>	Appeal number
<B0752EP>	Petitioner code
<B0753EP>	Date of notice of petition (May be included at a later date)
<B0755EP>	Date of decision
<B0756EP>	Kind of decision (R06 or R07= 'Granted'; other values = 'Not granted')

Example:

```
<B075EP>
  <B0750EP id="ep-chg0001" review-number="R0001/08">
    <B0751EP>T0621/03-3309</B0751EP>
    <B0752EP>APPR</B0752EP>
    <B0753EP><date>20080814</date></B0753EP>
    <B0755EP><date>20091014</date></B0755EP>
    <B0756EP>R06</B0756EP>
  </B0750EP>
  <B0750EP id="ep-chg0002" review-number="R0002/08">
    <B0751EP>T0638/01-3222</B0751EP>
    <B0752EP>OP01</B0752EP>
    <B0753EP><date>20080912</date></B0753EP>
    <B0755EP><date>20090606</date></B0755EP>
    <B0756EP>R01</B0756EP>
  </B0750EP>
</B075EP>
```

<B078EP>: Date of 'No opposition filed'

```
<B078EP>
  <date>yyyymmdd</date>
</B078EP>
```

<B080EP>: Public notification

```
<B080EP>
  <B081EP>Inspection place
    Code Meaning
    1 The Hague
    2 Munich
```

```
      3      Berlin
    </B081EP>
    <B082EP>Addressee
      <snm>Name</snm>
      <iid>EPO number</iid>
      <adr>Address
        <str>Street</str>
        <city>City, town</city>
        <ctry>Country code</ctry>
      </adr>
    </B082EP>
    <B083EP>Free text</B083EP>
  </B080EP>
```

Example:

```
<B002EP>
  <ep-chg-info>
    <ep-chg idref="ep-chg0001" btag="B080EP" date="20041118"
      status="n"/>
  </ep-chg-info>
</B002EP>

<B080EP id="ep-chg0001">
  <B081EP>1</B081EP>
  <B082EP>
    <snm>Amlang Pierre</snm>
    <iid>04941760</iid>
    <adr>
      <str>Teutoburger Strasse 186</str>
      <city>46119 Oberhausen</city>
      <ctry>DE</ctry>
    </adr>
  </B082EP>
  <B083EP>MITTEILUNG NACH REGEL 85A(1) EPÜ (EPA FORM 1135 VON
    20/10/04)</B083EP>
</B080EP>
```

<B090EP>: Limitation procedure

Under EPC2000, the proprietor of the patent can request a limitation of the scope of the patent. He can do this more than once. The request can be made during the opposition period as well as after it.

<B090EP>	Limitation procedures
	Grouping tag for different combined events
<B0900EP limitation- sequence="n">	Limitation procedure and sequence number
	Grouping tag for different events with limitation sequence number
<B091EP>	Limitation filing
<B0911EP><date>	Date of filing
<B0912EP>	Limitation kind (01,02):
	01 = filed during Opposition period (9 months)
	02 = filed after Opposition period (9 months)
<B0913EP>	Decision code (01- 05):
	01= admissible
	02= inadmissible
	03 = deemed not to be filed
	04 = deemed not to be filed, Opposition pending/filed
<B0914EP><date>	05 = withdrawn
	Date of payment

XML/DTD:

Firstly, the main grouping tag which groups the, possible, different sequence of events:

```
<!ELEMENT B090EP (B0900EP+) >
```

Secondly, the sub-grouping tag which groups the, possible, different sequence of tags within that event (filing, rejection and allowed):

```
<!ELEMENT B0900EP (B091EP+) >
```

```
<!ATTLIST B0900EP
```

```
    id ID #IMPLIED
    limitation-sequence CDATA #REQUIRED>
```

```
<!ELEMENT B091EP (B0911EP,B0912EP?,B0913EP?,B0914EP?) >
```

```
<!ATTLIST B091EP
```

```
    id ID #IMPLIED >
```

```
    <!ELEMENT B0911EP (date) >
```

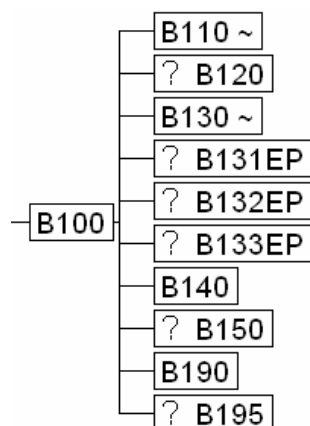
```
    <!ELEMENT B0912EP (#PCDATA)>
```

```
    <!ELEMENT B0913EP (#PCDATA) >
```

```
    <!ELEMENT B0914EP (date) >
```

Example

```
<B090EP>
  <B0900EP limitation-sequence="1">
    <B091EP>
      <B0911EP><date>20080914</date></B0911EP>
      <B0912EP>01</B0912EP>
      <B0913EP>01</B0913EP>
    </B091EP>
  </B0900EP>
  <B0900EP limitation-sequence="2">
    <B091EP>
      <B0911EP><date>20081009</date></B0911EP>
      <B0912EP>01</B0912EP>
      <B0913EP>01</B0913EP>
    </B091EP>
  </B0900EP>
</B090EP>
```

<B100>: Document identification**<B110>: Publication number of the document (EPO or WIPO)**

<B110>1118543</B110> - EPO number
 <B110>2003043537</B110> - WIPO number

<B120>: Plain language designation

Containing tags: <B121> and <B121EP>

```

<B120>
  <B121>Plain language designation of the kind of document</B121>
  <B121EP>Descriptive text for B121 (EPO)</B121EP>
</B120>
  
```

The language depends on contents of tag <'B260> - publication language - e.g. for code 'en' tag <B121> will contain 'EUROPEAN PATENT APPLICATION'

Examples:

```

<B120>
  <B121>EUROPEAN PATENT APPLICATION</B121>
  <B121EP>published in accordance with Art. 158(3) EPC</B121EP>
</B120>
  
```

```

<B120>
  <B121>EUROPÄISCHE PATENTANMELDUNG</B121>
</B120>
  
```

```

<B120>
  <B121>DEMANDE DE BREVET EUROPEEN</B121>
</B120>
  
```

<B130>: Kind of document

The values used by the EPO are:

- A1 Application published with search report
- A2 Application published without search report
- A3 Separate publication of the search report

- A8 Correction - reprint of the title page of an A-document
- A9 Correction - complete reprint of an A-document

- B1 Granted patent
- B2 Amended patent

- B8 Correction - reprint of the title page of a B-document
- B9 Correction - complete reprint of a B-document

<B132EP>: Original kind code

The values used by the EPO are:

- A1 Application published with search report
- A2 Application published without search report
- A3 Separate publication of the search report

- B1 Granted patent
- B2 Amended patent

Only used within correction files (status="c"). See also <B150> for examples.

Example:

```
<ep-bulletin id="EP02075796A9W1" file="02075796.9" lang="en"
country="EP" doc-number="1217438" kind="A9" correction-code="W1"
date-publ="20050105" status="c" dtd-version="ep-bulletin-v1-1">
...
<B130>A9</B130>
<B132EP>A2</B132EP>
...
<B150>
  <B151>W1</B151>
  <B155>
    <B1551>de</B1551>
    <B1552>Beschreibung</B1552>
    <B1551>en</B1551>
    <B1552>Description</B1552>
    <B1551>fr</B1551>
    <B1552>Description</B1552>
  </B155>
</B150>
```


<B133EP>: New kind code

The values used by the EPO are:

A1 Application published with search report
A2 Application published without search report
A3 Separate publication of the search report

B1 Granted patent
B2 Amended patent

Only used within correction files (status="c"). See <B150> for examples.

<B140>: Date of publication

```
<B140><date>20050105</date></B140>
```

<B150>: Patent correction information

```
<B150>
  <B151>Supplementary correction code
    The values used by the EPO are:
    DL - Deletion (cancellation) of a previously announced
        correction
    YF - Replacement of electronic file (no reprint will be
        made, only electronic data is changed)
    Wn - Reprint required - n = the Nth reprint.
  </B151>
  <B152>
    <date>Issue date of announced correction being
        cancelled</date>
  </B152>
  <B153>Affected INID codes</B153>
  <B154>Standard notes
    <B1541>Note language</B1541>
    <B1542>Note text</B1542>
  </B154>
  <B155>Affected parts of document
    <B1551>Part language</B1551>
    <B1552>Part text</B1552>
  </B155>
</B150>
```

Example of XML markup for a title page reprint.

This is an example where the kind code for the publication has been changed from the original publication (A1) to the corrected publication (A2).

```

<ep-bulletin id="EP1217438A8W1" file="02075796.9" lang="en" country="EP" doc-
number="1217438" kind="A8" correction-code="W1" date-publ="20050105" status="c" dtd-
version="ep-bulletin-v1-1">
<SDOBI lang="en"
<B121>CORRECTED EUROPEAN PATENT APPLICATION</B121>
<B130>A8</B130>
<B132EP>A1</B132EP>
<B133EP>A2</B133EP>
<B150>
<B151>W1</B151>
<B153>11 13</B153>
<B154>
<B1541>de</B1541>
<B1542>Korrigierter Dokumentart-Code</B1542>
<B1541>en</B1541>
<B1542>Corrected Kind of Document code</B1542>
<B1541>fr</B1541>
<B1542>Code du type de document corrigé</B1542>
</B154>
<B155>
<B1551>de</B1551>
<B1552>Bibliographie</B1552>
<B1551>en</B1551>
<B1552>Bibliography</B1552>
<B1551>fr</B1551>
<B1552>Bibliographie</B1552>
</B155>
</B150>
<B210>02075796.9</B210>
<B430>
<date>20020626</date>
<bnum>200226</bnum>
</B430>
<B480>
<date>20050105</date>
<bnum>200501</bnum>
</B480>

```

Code of reprint (11/13)
Original kind code (15)
New kind code (15)
Correction information. (15)
Suppl. correction code. (15)
Affected INID codes. (15)
Standard notes. (15)
Language
Note text
Language
Note text
Language
Note text
Affected parts
Language
Part text
Language
Part text
Language
Part text
Application number (21)
Date of original publication. (43)
Bull. number where announced.
Corrigendum issued. (48)
Date of publication of correction.
Bull. number where announced.

Note. Italic numbers in brackets indicate the INID codes under which these items will appear on the title page.

A previously announced correction is being cancelled:

```

<ep-bulletin id="EP1217438A8DL" file="02075796.9" lang="de"
country="EP" doc-number="1217438" kind="A8" correction-code="DL"
date-publ="20050105" status="c" dtd-version="ep-bulletin-v1-1">

<SDOBI lang="de"
<B121>KORRIGIERTE EUROPÄISCHE PATENTANMELDUNG</B121>
<B130>A8</B130>                               Code of reprint (11/13)
<B132EP>A1</B132EP>                         Original kind code (15)
<B150>                                       Correction information. (15)
<B151>DL</B151>                               Suppl. correction code. (15)
<B152><date>20041215</date></B152>           Issue date of announced
                                              correction being cancelled (15)

<B154>                                       Standard notes. (15)
<B1541>de</B1541>                             Language
<B1542>Die für dieses Datum gemeldete Korrektur
entfällt</B1542>                             Note text
<B1541>en</B1541>                             Language
<B1542>The correction forseen for this date is
cancelled</B1542>                             Note text
<B1541>fr</B1541>                             Language
<B1542>La correction annoncée pour cette date est
annulée</B1542>                             Note text
</B154>
</B150>
<B210>02075796.9</B210>                       Application number (21)
<B430>
<date>20041215</date>                         Date of original publication. (43)
<bnum>200451</bnum>                           Bull. number where announced.
</B430>
<B480>                                       Corrigendum issued. (48)
<date>20050105</date>                         Date of publication of correction.
<BNUM>200501</bnum>                           Bull. number where announced.
</B480>

```

XML markup for correction of electronic file only:

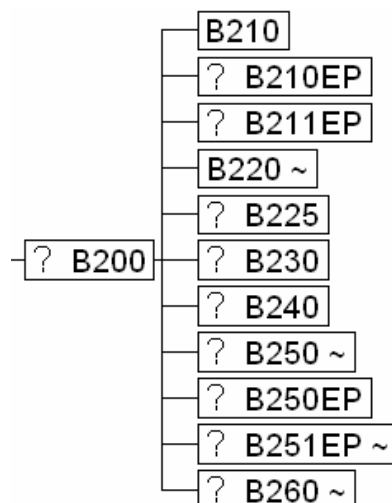
<ep-bulletin id="EP1217439A9YF" file="01204776.7" lang="de" country="EP" doc-number="1217439" kind="A9" correction-code="YF" date-publ="20050105" status="c" dtd-version="ep-bulletin-v1-1">	
<SDOBI lang="de">	
<B121>KORRIGIERTE EUROPÄISCHE PATENTANMELDUNG</B121>	
<B130>A9</B130>	Code of reprint (<i>see the note below</i>)
<B132EP>A1</B132EP>	Original kind code (15)
<B150>	Correction information. (15)
<B151>YF</B151>	Suppl. correction code. (15)
<B210>01204776.7</B210>	Application number (21)
<B430>	
<date>20041215</date>	Date of original publication. (43)
<bnum>200451</bnum>	Bull. number where announced.
</B430>	
<B480>	Corrigendum issued. (48)
<date>20050105</date>	Date of publication of correction.
<BNUM>200501</bnum>	Bull. number where announced.
</B480>	

Note: Although the code of reprint A9 is given, indicating a reprint of the entire document, the supplementary correction code YF indicates to the publisher that only the electronic file is to be reprocessed and no reprint done.

<B190>: Publishing country or organisation

Country or organisation which actually publishes the document. The values used by EPO are:

EP European Patent Office
WO WIPO

<B200>: Domestic filing data**<B210>: Application number**

Number assigned by the EPO or National Office when the application is first filed. The number is stored as eight digits plus a check code 'YYXXNNNN.P' where:
 YY = Year of application

Note: From 2000 it is 00, 01, etc care should be taken with any sort programs based on this number.

XX = Place of application; that is:

00	<i>epoline</i> ® online filing
10	Munich, EPO
20	The Hague, EPO (branch)
25	Berlin, EPO (sub-office)
30	Newport and London, The (UK) Patent Office
40	Paris, Institut national de la propriété industrielle (INPI)
41	Grenoble, INPI (regional office)
42	Lyon, INPI (regional office)
43	Marseille, INPI (regional office)
44	Strasbourg, INPI (regional office)
45	Bordeaux, INPI (regional office)
46	Rennes, INPI (regional office)
47	Nancy, INPI (regional office)
48	Nice, INPI (regional office)
49	Lille, INPI (regional office)
50	Madrid, Oficina Espanola de Patentes y Marcas
51	Barcelona (Autonomous Community Catalonia)
52	Seville (Autonomous Community Andalusia)
53	Tenerife (Autonomous Community Canary Islands)
54	Santiago de Compostela (Autonomous Community Galicia)
55	Pamplona (Autonomous Community Navarra)
56	Valencia (Autonomous Community Valencia)
57	Vitoria (Autonomous Community Basque Country)

- 60 Athens, Organismos Biomichanikis Idioktiasias (OBI)
- 61 Taastrup, Patentdirektoratet
- 63 Luxembourg, Service de la propriété intellectuelle (Ministère de l'économie et des classes moyennes)
- 64 Monaco, Direction du Commerce, de l'Industrie et de la Propriété Industrielle
- 65 Dublin, The (Irish) Patents Office
- 67 Lisbon, Instituto Nacional da Propriedade Industrial (INPI)
- 71 Munich, Deutsches Patentamt (DPA)
- 72 The Hague, Octrooiraad
- 73 Berlin, DPA (Berlin Annex)
- 81 Berne, Bundesamt für geistiges Eigentum (BAGE)
- 83 Rome, Ufficio Centrale Brevetti
- 85 Stockholm, Kungl. Patent- och registreringsverket
- 87 Brussels, Service de la propriété industrielle et commerciale (Ministère des affaires économiques)
- 89 Vienna, Österreichisches Patentamt

NNNN = Number

P = Check digit : calculated according to Modulus 10 - calculations detect single transpositions and incorrect keying of a single digit. The calculation is performed as follows:

The units position and every alternate position of the basic number is multiplied by 2. The digits resulting from the multiplication are added to those that were not multiplied. The total is subtracted from the next higher number ending with zero. The result is the check digit.

EP application number : 03789660.2

0	3	7	8	9	6	6	0	(base)
x	x	x	x	x	x	x	x	(multiply)
1	2	1	2	1	2	1	2	(by)

0	6	7	16	9	12	6	0	

Add every digit separately (i.e. 16 has to be added as 1+6):

$$0 + 6 + 7 + 1 + 6 + 9 + 1 + 2 + 6 + 0 = 38$$

Divide 38 : 10 = 3 and the remainder is 8

Subtract 10 - 8 = 2 check digit

Also a **route element** attribute:

```
<ep-bulletin id="EP03789660A1" file="03789660.2" lang="en"
country="EP" doc-number="1826796" kind="A1" date-publ="20070829"
status="n" dtd-version="ep-bulletin-v1-0">
```

<B220>: Application filing date

```
<B220>
  <date>20000417</date>
</B220>
```

(Similar construct for the following data elements).

<B235>: Date of refusal of application**<B236>: Date of withdrawal of application****<B237>: Date of application deemed withdrawn****<B238EP>: Date of receipt of request for re-establishment of rights****<B238>: Date of decision for re-establishment of rights**

Note: Used together with tag <B004EP>

<B239>: Date of revocation

When a patent is revoked our Patent Administration System delivers only the actual legal date of effect of the revocation which will be stored and marked up as follows:

```
<ep-bulletin . . . status="r" >
<SDOBI lang="de">
. . .
<B002EP>
  <ep-chg-info>
    <ep-chg idref="ep-chg0001" btag="B239" date="20060104"
status="n"/>
  </ep-chg-info>
</B002EP>
. . .
<B239 id="ep-chg0001">
<date>20060218</date>
</B239>
```

<B241>: Date of request for examination**<B242>: Date of despatch of the first examination report****<B243>: Date of 'patent maintained as amended'**

<B244>: Request for conversion (to national application) under EPC Article 135

```
<B244>
  <date>Date of the request for conversion to national
  application</date>
  <ctry>Country code (States concerned)</ctry>
</B244>
```

Example:

```
<B244>
  <date>19940221</date>
  <ctry>DE</ctry>
  <ctry>ES</ctry>
  <ctry>IT</ctry>
</B244>
```

<B245>: Date of suspension (Rule 13) / Interruption (Rule 90) of proceedings

Note: Used together with tag <B245EP>

<B245EP>: Suspension/Interruption indicator

Indicates the type of suspension or Interruption. The values used by EPO are, according to EPC rules:

- 1 Suspension (Rule 13)
- 2 Applicant died (Rule 90(1)(a))
- 3 Legal incapacity of applicant (Rule 90(1)(a))
- 4 Legal prevention (Rule 90(1)(b))
- 5 Representative died (Rule 90(1)(c))
- 6 Legal incapacity of representative (Rule 90(1)(c))

Examples:**1. Date of suspension (Rule 13) :**

```
<B245>
  <date>19880916</date>
</B245>
<B245EP>1</B245EP>
```

2. Date of interruption (Rule 90) :

```
<B245>
  <date>19880916</date>
</B245>
<B245EP>2</B245EP>
```


Note: Used together with tag <B245> and/or <B246>

<B246>: Date of resumption of proceedings (Rule 13 / Rule 90)

Examples:

1. Date of resumption (Rule 13) :

```
<B245EP>1<B245EP>  
<B246>  
    <date>19890916</date>  
</B246>
```

2. Date of resumption (Rule 90)

```
<B245EP>2</B245EP>  
<B246>  
    <date>19890916</date>  
</B246>
```

Note: Used together with tag <B245> and/or <B246>

<B250>: Filing language

It contains the language code in which the application was originally filed e.g:

de	German
en	English
fr	French
ja	Japanese
	etc.

<B251EP>: Procedure language

Content: en, fr or de

Note: Under EPC Article 14, (3): “The official language of the European Patent Office in which the European patent application is filed or, in the case referred to in paragraph 2, that of the translation, shall be used as the language of the proceedings in all proceedings before the European Patent Office concerning the application or the resulting patent, unless otherwise provided in the Implementing Regulations.”

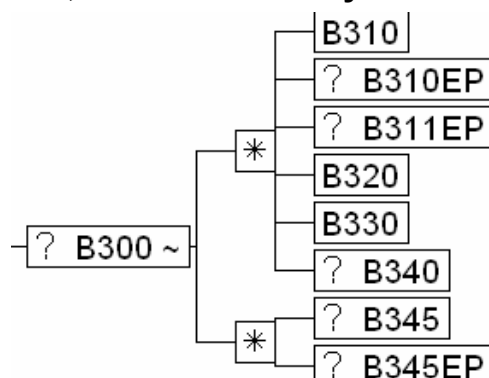
<B260>: Publication language

Language in which the Application/Patent has to be published. Currently, EPO uses the follow languages:

fr French
en English
de German

Also a route element attribute:

```
<ep-bulletin id="EP00100102A2" file="00100102.3" lang="en"  
country="EP" doc-number="1018688" kind="A2" date-publ="20050105"  
status="r" dtd-version="ep-bulletin-v1-1">
```

<B300>, <B310>, <B320>, <B330>: Priority data

(30) Data relating to priority under the Paris Convention

(31) Number(s) assigned to priority application(s)

(32) Date(s) of filing of priority application(s)

(33) WIPO Standard ST.3 code identifying the national industrial property office allotting the priority application number or the organization allotting the regional priority application number; for international applications filed under the PCT, the code "WO" is to be used

```

<B300>
  <B310>Number</B310>
  <B320>
    <date>Date</date>
  </B320>
  <B330>
    <ctry>Country in which the priority application was
filed</ctry>
  </B330>
</B300>

```

- ◆ For a PCT priority the tag <B330> contains the code WO and the format of the priority number, <B310>, is PCT/xyy/n where:

```

xx   Original country
yy   Year
n    Variable length priority number

```

- ◆ There is no tag to mark the beginning of the repeatable group for tags <B310>, <B320> and <B330>. However these tags are always presented in the same sequence.
- ◆ In respect to year 2000 compliance the EPO generally relies on the priority number - <B310> - given by the issuing office which may or may not be year 2000 compliant.

Examples

Example for priority data:

```
<B300>
  <B310>14534299</B310>
  <B320><date>19990525</date></B320>
  <B330><ctry>JP</ctry></B330>
  <B310>PCT/JP00/02045</B310>
  <B320><date>20000330</date></B320>
  <B330><ctry>WO</ctry></B330>
</B300>
```

Example for change on priority data:

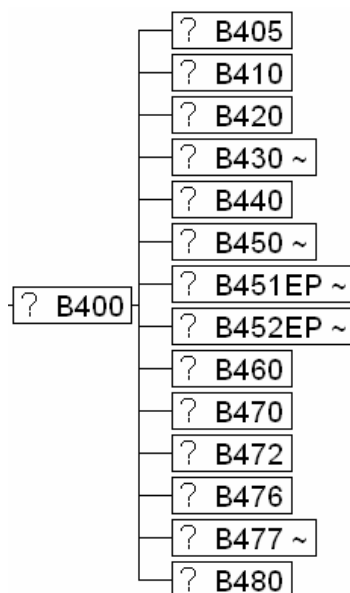
```
<B002EP>
  <ep-chg-info>
    <ep-chg idref="ep-chg0001" btag="B300" date="20041112"
status="r"/>
  </ep-chg-info>
</B002EP>
```

```
<B300 id="ep-chg0001">
  <B310>0350215</B310>
  <B320>
    <date>20030612</date>
  </B320>
  <B330>
    <ctry>FR</ctry>
  </B330>
  <B310>0350215</B310>
  <B320>
    <date>20030612</date>
  </B320>
  <B330>
    <ctry>FR</ctry>
  </B330>
</B300>
```

Example for deletion of priority data:

```
<B002EP>
  <ep-chg-info>
    <ep-chg idref="ep-chg0001" btag="B300" date="20041117"
status="d"/>
  </ep-chg-info>
</B002EP>

<B300 id="ep-chg0001"></B300>
```

<B400>: Public availability dates**<B405>: Patent Bulletin / Gazette information**

```

<B405>
  <date>Publication date</date>
  <bnum>Issue number of the Bulletin</bnum>
</B405>

```

Date when the EPO Bulletin is actually published and the corresponding issue number.

Example:

```

<B405>
  <date>20050105</date>
  <bnum>200501</bnum>
</B405>

```

<B430>: Unexamined document without grant (first publication)

(43) Date of making available to the public by printing or similar process of an unexamined patent document, on which no grant has taken place on or before the said date

```

<B430>
  <date>Publication date</date>
  <bnum>Issue number of the Bulletin</bnum>
</B430>

```

Date of publication of application (A1, A2) and issue number of the EPO Bulletin in which the first publication of the application is mentioned.

Example:

```
<B430>
  <date>19940302</date>
  <bnum>199409</bnum>
</B430>
```

The publication date is also a **route element attribute**:

```
<ep-bulletin id="EP00100102A2" file="00100102.3" lang="en"
country="EP" doc-number="1018688" kind="A2" date-publ="20050105"
status="r" dtd-version="ep-bulletin-v1-1">
```

<B450>: Document with grant (second publication)

(45) Date of making available to the public by printing or similar process of a patent document on which grant has taken place on or before the said date

```
<B450>
  <date>Publication date</date>
  <bnum>Issue number of the Bulletin</bnum>
</B450>
```

Date of publication of specification (B1) and the issue of the EPO Bulletin in which the mention of the grant is published.

The publication date is also a **route element attribute**:

```
<ep-bulletin id="EP00000001B1" file="00000001.8" lang="de"
country="EP" doc-number="1118543" kind="B1" date-publ="20050105"
status="r" dtd-version="ep-bulletin-v1-1">
```

<B451EP>: Date of announcement of intention to grant

Date of announcement of intention to grant a patent. (Communication pursuant to Rule 51(4) EPC)

<B452EP>: Date of announcement of intention to grant (after 01.07.2002)

Date of announcement of intention to grant a patent. (Communication pursuant to Rule 51(4) EPC after 01.07.2002))

<B472>, <B475>: Term of grant, lapse

```
<B472>
  <B475>Lapse of a patent
    <date>Date of lapse</date>
    <ctry>Country code</ctry>
  </B475>
</B472>
```

In the EBD file this data can take two formats, depending on the time the record was created, for the back file there is, generally, no change tag,

Example:

```
<B472>
  <B475>
    <date>20030805</date>
    <ctry>AT</ctry>
    <date>20030831</date>
    <ctry>CH</ctry>
    <date>20030831</date>
    <ctry>LI</ctry>
    <date>20030705</date>
    <ctry>DE</ctry>
    <date>20040430</date>
    <ctry>FR</ctry>
  </B475>
</B472>
```

Example for new lapse of a patent:

```
<B002EP>
  <ep-chg-info>
    <ep-chg idref="ep-chg0001" btag="B475" date="20041118"
status="n"/>
  </ep-chg-info>
</B002EP>

<B472>
  <B475 id="ep-chg0001">
    <date>20040310</date>
    <ctry>AT</ctry>
    <date>20040310</date>
    <ctry>BE</ctry>
    <date>20040310</date>
    <ctry>CH</ctry>
  </B475>
</B472>
```

<B477>: Document printed as amended, third level of publication (e.g. EPO 'B2')

```
<B477>
  <date>Publication date</date>
  <bnum>Issue number of the Bulletin</bnum>
</B477>

<B477>
  <date>20020821</date>
  <bnum>200234</bnum>
</B477>
```

Date of publication (B2) and issue number of the EPO Bulletin in which the mention of the document printed as amended is published.

The publication date is also a **route element attribute**:

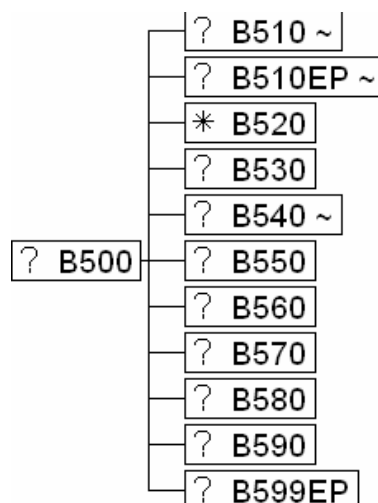
```
<ep-bulletin id="EP90907061B2" file="90907061.7" lang="de"
country="EP" doc-number="0472565" kind="B2" date-publ="20050105"
status="r" dtd-version="ep-bulletin-v1-1">
```

<B480>: Corrigendum issued data

(48) Date of issuance of a corrected patent document

```
<B480>
  <date>Date of publication of correction</date>
  <bnum>Bulletin number where announced</bnum>
</B480>
```

See tag <B150> for examples.

<B500>: Technical Data**<B510>: International Patent Classification (IPC)**

NOTE: This coding will continue after Week 52, 2005 for ST.32 and ST.35 files (SGML) only on the *epoline*® website; it will, however, contain the new IPCR data but reformatted according to the previous WIPO ST.8 standard with 18 positions into the <B510> structure; as follows:

```

<B510>
  <B516>      Will contain "version" edition statement indicator 8
              or, for earlier files 7, etc
  <B511>      First information
  <B512>      Inventive classification would be B511 & B512
  <B513>      Non inventive classification
  <B514>      "
  <B515>      "
  <B517EP>    Non-obligatory suppl. class. - no longer used in
              IPCR - but for changes to any old files it may be
              present
</B510>
  
```

Note: there is no "edition" 8 in the new WIPO ST.8, we will not have, for example, Int. CL.⁸ on the title page of EP patents, but for consistency with current (pre-2006) processing we will keep this number, for all practical purposes it is 8 and indicated as such to EPO examiners in the guide to the new IPC.

Example:

```

<B510>
  <B516>8
  <B511> 8B 60R 13/08 A
  <B512> 8C 08J 9/00 B
  <B512> 8C 08J 9/10 B
  <B513> 8C 08L 51/06 -
</B510>
  
```

IMPORTANT NOTES:

- Back file data will NOT be changed to B510EP because it is published data in the public domain (this conforms to the new IPC (see below)).
- B510 will be used to the end of 2005, week 52 with the current IPC coding; after this date we will use B510 for the new (IPCR) coding (see above). Users should, however, switch as soon as possible to the new XML (ST.36) files which are the official EPO files.
- How are the IPCR 50 positions represented in B510?, see table below:

WIPO IPC 8 Position details			ST.32 (SGML)
Position(s)	Content	Values	
1	Section	A-H	Position 3
2,3	Class	01...99	Positions 5,6
4	Subclass	A...Z	Position 7
5 to 8	Main Group (right aligned)	1...9999, blank	Positions 9 to 11
9	Separating character	/ ("Slash")	Position 12
10 to 15	Subgroup (left aligned)	00...999999 blank	Positions 13-17
16 to 19	For future use	4 blanks	Not used
20 to 27	Version indicator	YYYYMMDD date format	Not used - but <B516> and Position 2 gives edition of the IPC; we will use 8 for the new IPCR.
28	Classification level	C, A, S	Not used
29	First or later position of symbol	F, L	Not used - assume <B511> data as F and all others as L
30	Classification value (inventive or non-inventive)	I, N	Not used - but assume <B511> and <B512> = I and all others = N
31 to 38	Action date	YYYYMMDD date format	Not used
39	Original or reclassified data	BRVD	Not used - would always be B - for the basic or original data - for EPO data
40	Source of classification data	H M G	Not used - would always be H for EPO data
41-42	Generating office	AA ZZ (ST.3)	Not used - always EP
43-50	For future use	8 blanks	Not used

<B510EP>: New International Patent Classification (IPC8)

The new WIPO ST.8 standard (see: <http://www.wipo.int/scit/en/standards/pdf/03-08-01.pdf>) states:

Industrial property offices are asked to implement this new version of Standard ST.8 for all patent documents with a publication date from January 1, 2006, onwards. For patent documents published prior to that date, the previous version of the Standard should continue to be used.

This recording convention provides that symbols of the International Patent Classification (IPC) should be presented on machine-readable records for the exchange of information in machine-readable form in a fixed-length field in 50 positions, each part of the Int. Cl. symbol being recorded in specific positions and in the manner prescribed.

*...
A schematic representation of the contents of the 50 positions is as follows:*

Section	Class			Subclass	Main Group				Separating character	Subgroup					Blanks					
	1	2	3		4	5	6	7		8	9	10	11	12	13	14	15	16	17	18

Version indicator								Classification level	First or later position of a symbol	Classification value	Action date									
	20	21	22	23	24	25	26				27	28	29	30	31	32	33	34	35	36

Original or reclassified data	Source of classification data	Generating office	Blanks											
			39	40	41	42	43	44	45	46	47	48	49	50

As can be see from the section of the DTD printed below each part has been assigned an element name; for example: <generating-office>

```
<!ELEMENT B510EP (classification-ipcr+)>
```

<B510EP> contains <classification-ipcr> which in turns contains all the new tags for each part of the classification or it can be stored in a fixed length field of 50 positions within the <text> data element.

```
<!ELEMENT classification-ipcr ((section , class , subclass , main-
group? , subgroup? , ipc-version-indicator , classification-level? ,
symbol-position? , classification-value? , action-date? ,
classification-status? , classification-data-source? , generating-
office?) | text)>
```

This can also be represented by the table:

Position(s)	Content	Values	ST.36 (XML)
1	Section	A-H	<section>
23	Class	01...99	<class>
4	Subclass	A...Z	<subclass>
5 to 8	Main Group (right aligned)	1...9999, blank	<main-group>
9	Separating character	/ ("Slash")	
10 to 15	Subgroup (left aligned)	00...999999 blank	<subgroup>
16 to 19	For future use	4 blanks	
20 to 27	Version indicator	YYYYMMDD date format	<ipc-version- indicator>
28	Classification level	C, A, S	<classification-level>
29	First or later position of symbol	F, L	<symbol-position>
30	Classification value (inventive or non-inventive)	I, N	<classification-value>
31 to 38	Action date	YYYYMMDD date format	<action-date> <date>
39	Original or reclassified data	BRVD	<classification- status>
40	Source of classification data	H M G	<classification-data- source>
41-42	Generating office	AA ZZ (ST.3)	<generating-office> <country>
43-50	For future use	8 blanks	

To mark up this data with each part coded is very heavy mark up; for example:

```
<B510EP>
  <classification-ipcr sequence="1">
    <section>C</section>
    <class>22</class>
    <subclass>C</subclass>
    <main-group>1</main-group>
    <subgroup>02</subgroup>
    <ipc-version-indicator>20050101</ipc-version-indicator>
    <classification-level>A</classification-level>
    <symbol-position>F</symbol-position>
    <classification-value>I</classification-value>
    <action-date>20050105</action-date>
    <classification-status>B</classification-status>
    <classification-data-source>H</classification-data-source>
    <generating-office>EP</generating-office>
  </classification-ipcr>
</B510EP>
```

This is for **one** classification of, on average, 2 or 3 classifications for an EP document.

We will, therefore, capture the new IPC **as one fixed length field of 50 positions** conforming to the new IPC (see above); for example (this example taken from WIPO ST.8):

```
<B510EP>
  <classification-ipcr sequence="1">
    <text>B28B 5/00 20060101AFI20070601BHEP </text>
  </classification-ipcr>
</B510EP>
```

Because the field is always fixed length rendering for display, page layout etc. should be straightforward.

Before contacting the EPO about the meaning and interpretation of the new IPC please refer to the tables above and new WIPO ST.8 (<http://www.wipo.int/scit/en/standards/pdf/03-08-01.pdf>)

Example:

```
<B510EP>
<classification-ipcr sequence="1">
<text>C09D 151/00 20000101AFI20060104BHEP </text>
</classification-ipcr>
<classification-ipcr sequence="2">
<text>C08F 265/06 20000101ALI20060104BHEP </text>
</classification-ipcr>
<classification-ipcr sequence="3">
<text>C09D 5/02 20000101ALI20060104BHEP </text>
</classification-ipcr>
<classification-ipcr sequence="4">
<text>C09D 175/04 20000101ALI20060104BHEP </text>
</classification-ipcr>
```

</B510EP>

Note: the spaces or blanks (which are important) are coded in UTF-8 as 0020 (space).

Corrections and changes to previous publications using earlier versions of the IPC

For several months and, probably, years the EPO will be processing data coded to previous versions (editions) of the IPC - for the front file (01.2006 on) we will use the 50 position IPCR in all cases and positions 20 to 27 - the version indicator date - will contain the date of creation of the IPC as held in the EPO database. This could, of course, be well before 2006.

In some cases it may not be possible to determine the version indicator date because the classification is no longer valid in such cases the value of the version indicator date will be set to eight zeros: 00000000, example:

```
<B510EP>
<classification-ipcr sequence="1">
<text>H05K 1/05 00000000AFI20060104BHEP </text>
</classification-ipcr>
</B510EP>
```

For information:

The publication of the new IPC on the title page of EP patent documents will be similar to the layout below:

(51) Int. Cl.:
C07D 231/56 (2006.01) **C07D 417/12 (2006.01)**
C07D 401/04 (2006.01) **C07D 409/14 (2006.01)**
C07D 401/06 (2006.01) **C07D 409/12 (2006.01)**

<B540>: Title

```
<B540>
  <B541>de</B541>
  <B542>German title</B542>
  <B541>en</B541>
  <B542>English title</B542>
  <B541>fr</B541>
  <B542>French title</B452
</B540>
```

Example:

```
<B540>
  <B541>de</B541>
  <B542>Verschluss für einen Sicherheitsbehälter</B542>
  <B541>en</B541>
  <B542>Closure for a security box</B542>
  <B541>fr</B541>
  <B542>Dispositif de fermeture pour une boîte de sécurité</B542>
</B540>
```

Example for change on German title:

```
<B002EP>
  <ep-chg-info>
    <ep-chg idref="ep-chg0001" btag="B542" date="20041115"
status="r"/>
  </ep-chg-info>
</B002EP>

<B540>
  <B541>de</B541>
  <B542 id="ep-chg0001">Vorrichtung zur Abgabe von
Papierstücken</B542>
  <B541>en</B541>
  <B542>Device for distributing paper segments</B542>
  <B541>fr</B541>
  <B542>Dispositif de distribution de segments de papier</B542>
</B540>
```

<B560>: List of prior art documents

(56) List of prior art documents, if separate from descriptive text

```
<B560>
  <B561><text>Patent citation</text></B561>
  <B562><text>Non patent citation</text></B562>
</B560>
```

Example:

```
<B560>
  <B561><text>EP-A- 0 409 179</text></B561>
  <B561><text>US-A- 5 823 248</text></B561>
  <B561><text>US-A- 5 871 043</text></B561>
  <B562><text>PATENT ABSTRACTS OF JAPAN vol.
  007.....</text></B562>
  <B562><text>PATENT ABSTRACTS OF JAPAN vol.
  12.....</text></B562>
</B560>
```

These tags are only used on the title page of B documents.

<B565EP>: Date of drawing up and despatch of supplementary search report

```
<B565EP>
  <date>yyyymmdd</date>
</B565EP>
```

Date when a supplementary European search report was drawn up.

<B566EP>: Date of dispatch for correction to the search report

Date of dispatch of new documents to the applicant after publication of the search report.

<B598>: Figure number on first (title) page, abstract drawing

This tag may contain up to 16 bytes and each figure number is a 4 byte code.

Example:

```
<B598>2ççç5</B598>
```

Note: Character "ç" represents a space.

<B600>: References to other legally or procedurally related domestic patent documents**<B610>: Earlier document information**

(61) Number and, if possible, filing date of the earlier application, or number of the earlier publication, or number of earlier granted patent, inventor's certificate, utility model or the like to which the present patent document is an addition

```
<B610>
  <parent>Parent relation
    <pdoc>Earlier document data
      <dnum>
        <anum>Application number of an earlier
          application
        </anum>
        <pnum>Publication number of an earlier
          application
        </pnum>
      </dnum>
      <date>Date of receipt</date>
    </pdoc>
  </parent>
</B610>
```

<B620>: Parent application data

(62) Number and, if possible, filing date of the earlier application from which the present patent document has been divided up

```
<B620>
  <parent>Parent relation
    <pdoc>parent application data
      <dnum>
        <anum>Application number of the parent
          application
        </anum>
        <pnum>Publication number of the parent
          application
        </pnum>
      </dnum>
      <date>Date of receipt</date>
    </pdoc>
  </parent>
</B620>
```

Example:

```
<B620>
  <parent>
    <pdoc>
      <dnum>
```

```

        < anum>96114809.5</ anum>
        < pnum>0745474</ pnum>
      </ dnum>
      < date>19960916</ date>
    </ pdoc>
  </ pdoc>
  < dnum>
    < anum>89303782.0</ anum>
    < pnum>0354637</ pnum>
  </ dnum>
  < date>19890417</ date>
</ pdoc>
</ parent>
</ B620>

```

<B620EP>: Divisional application(s)

```

< B620EP>
  < parent>Parent relation
    < cdoc>divisional application data
      < dnum>
        < anum>Application number of the divisional
application
          </ anum>
        < pnum>Publication number of the divisional
application
          </ pnum>
      </ dnum>
      < date>Date of receipt</ date>
    </ cdoc>
  </ parent>
</ B620EP>

```

Example for change on divisional application data:

```

< B002EP>
  < ep-chg-info>
    < ep-chg idref="ep-chg0001" btag="B620EP" date="20041117"
      status="r"/>
  </ ep-chg-info>
</ B002EP>

```

```

< B620EP id="ep-chg0001">
  < parent>
    < cdoc>
      < dnum>
        < anum>04026830.2</ anum>
      </ dnum>
      < date>20041111</ date>
    </ cdoc>
  </ cdoc>

```

```
        <dnum>
          <anum>04026831.0</anum>
        </dnum>
        <date>20041111</date>
      </cdoc>
    </parent>
  </B620EP>
```

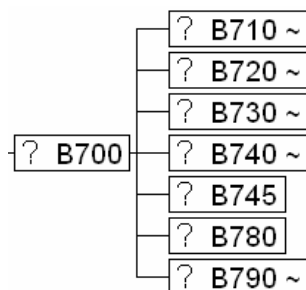
<B690>: Previously filed application

The applicant may file "by reference to a previously filed application". This means, rather than filing the text of a new EP application, the applicant refers to the description, any drawings, and potentially claims of that previously filed application. Such reference to date/state/number of the previously filed application is enough for obtaining a date of filing for the new EP application. The applicant then has two months from the date of filing for filing the actual text of that EP application, in the form of a certified copy of the earlier application. If not filed, it may still be filed within two months from an EPO invitation (is dispensed with in cases where the previously filed application is available to the EPO). Otherwise the application will not be dealt with as a European patent application. The bibliography of the previously filed application (like its date of filing, any priority claim etc.) is of no relevance to the new EP application, nor is its date of filing taken as the basis for the calculation of time limits (unless this previously filed application is also claimed as a priority, which is possible, and will continue to be recorded as such).

Introducing INID code (69) will entail updating two WIPO standards: ST. 9 and ST.36.

Example:

```
<B690>
  <dnum><anum>2000131865</anum></dnum>
  <date>20040228</date>
  <ctry>JP</ctry>
</B690>
```

<B700>: Parties concerned with the document**<B710>: Applicants**

```

<B710>
  <B711>
    <snm>Name</snm>
    <iid>EPO number of the Applicant</iid>
    <irf>Reference of the Applicant</irf>
    <syn>Synonym, cross reference of the Applicant</syn>
    <adr>Address
      <str>Street</str>
      <city>City, Town</city>
      <ctry>Country code</ctry>
    </adr>
    <B716EP>Designated states for the applicant. Used only
    when some of the designated states are mentioned
      <ctry> Country code</ctry>
    </B716EP>
    <B717EP>Designated extension for the applicant. Used only
    when some of the extended states are mentioned
      <ctry> Country code</ctry>
    </B717EP>
    <B718EP> Effective date for transfer of rights
      <date>
      </date>
    </B718EP>
  </B711>
</B710>
  
```

Note: The name and address data, extracted from EPASYS, cannot be as precisely specified as might be desired. For example, under <snm> all names are given: corporate or personal and, in the latter, last name is not tagged separately from first name. In the <str> field other data than street is entered and in the <city> field we may have city and state, for example.

Examples of all these can be seen below.

Example:

The designated states are: AT BE CH LI DE.

The first applicant applies for countries: 'AT BE CH LI'

The second applicant applies for countries: 'DE'.

```
<B710>
  <B711>
    <snm>F.HOFFMANN-LA ROCHE AG</snm>
    <iid>01138591</iid>
    <irf>19023 EP-Si</irf>
    <adr>
      <str>Grenzacherstrasse 124</str>
      <city>4070 Basel</city>
      <ctry>CH</ctry>
    </adr>
    <B716EP>
      <ctry>AT</ctry>
      <ctry>BE</ctry>
      <ctry>CH</ctry>
      <ctry>LI</ctry>
    </B716EP>
  </B711>
  <B711>
    <snm>Roche Diagnostics GmbH</snm>
    <iid>00205391</iid>
    <irf>19023 EP-Si</irf>
    <adr>
      <str>
      </str>
      <city>68298 Mannheim</city>
      <ctry>DE</ctry>
    </adr>
    <B716EP>
      <ctry>DE</ctry>
    </B716EP>
  </B711>
</B710>
```

<B720>: Inventors

```
<B720>
  <B721>
    <snm>Name</snm>
    <adr>Address
      <str> Street</str>
      <city>Town</city>
      <ctry>Country code</ctry>
    </adr>
  </B721>
</B720>
```

Or, when the inventor has agreed to waive his entitlement to designation:

```
<B720>
  <B721>
```

```
    <B725EP>
      <text>Text according to publication language. See
      Table below
    </text>
  </B725EP>
</B721>
</B720>
```

Note: Text from tag <B725EP> also used in tag <B009EP>.

Example:

```
<B720>
  <B721>
    <snm>Bornmann, Uwe</snm>
    <adr>
      <str>Mayerhansenstrasse 7/6</str>
      <city>A-4060 Leonding</city>
      <ctry>AT</ctry>
    </adr>
  </B721>
  <B721>
    <snm>Schörgenhuber, Heinz</snm>
    <adr>
      <str>Karl Wiserstrasse 8</str>
      <city>A-4020 Linz</city>
      <ctry>AT</ctry>
    </adr>
  </B721>
</B720>
```

Text used when inventors waive their entitlement to designation

Publication language Text in <B725EP>

When there is only one inventor and he has agreed to waive his entitlement to designation

De "Der Erfinder hat auf seine Nennung verzichtet"
En "The inventor has agreed to waive his entitlement to designation"
Fr "L'inventeur a renoncé à sa désignation"

When there are several inventors and they all have agreed to waive their entitlement to designation

De "Die Erfinder haben auf ihre Nennung verzichtet"
En "The inventors have agreed to waive their entitlement to designation"
Fr "Les inventeurs ont renoncé à leur désignation"

When there are several inventors and one of them has agreed to waive his entitlement to designation

De "Der weitere Erfinder hat auf seine Nennung verzichtet"
En "The other inventor has agreed to waive his entitlement to designation"
Fr "L'autre inventeur a renoncé à sa désignation"

When there are several inventors and some of them have agreed to waive their entitlement to designation

De "Die weiteren Erfinder haben auf ihre Nennung verzichtet"
En "The other inventors have agreed to waive their entitlement to designation"
Fr "Les autres inventeurs ont renoncé à leur désignation"

Example:

```

<B720>
  <B721>
    <snm>Frey, Juerg</snm>
    <adr>
      <str>Haggenstr. 80</str>
      <city>9014 St. Gallen</city>
      <ctry>CH</ctry>
    </adr>
  </B721>
  <B721>
    <B725EP>
      <text>Die andere Erfinder haben auf ihre Nennung
verzichtet.</text>
    </B725EP>
  </B721>
</B720>

```

Text from tag <B725EP> used as well in tag <B009EP>:

```

<B009EP>
  <text>Die andere Erfinder haben auf ihre Nennung
verzichtet.</text>
  <text>The other inventors have agreed to waive their
entitlement to designation.</text>
  <text>Les autres inventeurs ont renoncé à leur
désignation.</text>
</B009EP>

```

<B730>: Grantees

```

<B730>
  <B731>
    <snm>Name</snm>
    <iid>EPO number of the grantee</iid>
    <irf>Reference of the grantee</irf>
    <syn>Synonym, cross reference of the grantee</syn>
    <adr>Address
      <str>Street</str>
      <city>Town</city>
      <ctry>Country code</ctry>
    </adr>
    <B736EP>Designated states for the grantee. Used only when
some of the designated states are mentioned
      <ctry>Country code</ctry>
    </B736EP>
    <B737EP>Designated extension for the grantee. Used only
when some of the extended states are mentioned
      <ctry>Country code</ctry>
    </B737EP>
    <B738EP>Effective date for transfer of rights
      <date>

```

```
        </date>
      </B738EP>
    </B731>
  </B730>
```

Example for change on grantee:

```
<B002EP>
  <ep-chg-info>
    <ep-chg idref="ep-chg0001" btag="B730" date="20041112"
status="r"/>
  </ep-chg-info>
</B002EP>

<B730 id="ep-chg0001">
  <B731>
    <snm>Koninklijke Philips Electronics N.V.</snm>
    <iid>00200769</iid>
    <irf>PHD97.116EP</irf>
    <adr>
      <str>Groenewoudseweg 1</str>
      <city>5621 BA Eindhoven</city>
      <ctry>NL</ctry>
    </adr>
    <B736EP>
      <ctry>FR</ctry>
      <ctry>GB</ctry>
    </B736EP>
    <B738EP><date>00000000</date></B738EP>
  </B731>
  <B731>
    <snm>Philips Intellectual Property & Standards
GmbH</snm>
    <iid>02797108</iid>
    <irf>PHD97.116EP</irf>
    <adr>
      <str>Steindamm 94</str>
      <city>20099 Hamburg</city>
      <ctry>DE</ctry>
    </adr>
    <B736EP>
      <ctry>DE</ctry>
    </B736EP>
    <B738EP>
      <date>00000000</date>
    </B738EP>
  </B731>
</B730>
```

<B740>: Attorney/agent of the applicant(s)

```

<B740>
  <B741>
    <snm>Name</snm>
    <sfx>Suffix 'et al'</sfx>
    <iid>EPO number of the Attorney/Agent</iid>
    <adr>Address
      <str>Street</str>
      <city>Town</city>
      <ctry>Country code</ctry>
    </adr>
  </B741>
</B740>

```

Example:

```

<B740>
  <B741>
    <snm>Hudson, Peter David</snm>
    <sfx>et al</sfx>
    <iid>00052402</iid>
    <adr>
      <str>Motorola Patent and Licensing Operations</str>
      <city>Basingstoke Hampshire RG22 4PD</city>
      <ctry>GB</ctry>
    </adr>
  </B741>
</B740>

```

<B780>: Opposition(s)

```

<B780>
  <B781>Opponent data
    <dnum>
      <text>Serial number of the opposition</text>
    </dnum>
    <date>Date of opposition</date>
    ♦ Date of receipt for 'filed' and 'admissible'
    ♦ Date of legal effect for 'inadmissible' and 'deemed
    not to be filed' oppositions
    <kind>Kind code of the result from the examination on
    admissibility
    </kind>

```

Code	Meaning
0	Opposition filed
1	Admissible opposition
2	Inadmissible opposition
3	Deemed not to be filed
4	Opposition withdrawn
5	Intervention Art. 105 EPC
6	Intervention admissible
7	Intervention inadmissible

- 8 Intervention deemed not to be filed
9 Intervention withdrawn

```

<snm>Name</snm>
<iid>EPO number of the Opponent</iid>
<adr>Address
  <str>Street</str>
  <city>Town</city>
  <ctry>Country code</ctry>
</adr>
<B784>Attorney/agent of the opponent
  <snm>Name</snm>
  <sfx>Suffix 'et al'</sfx>
  <iid>EPO number of the Attorney/Agent</iid>
  <adr>Address
    <str>Street</str>
    <city>Town</city>
    <ctry>Country code</ctry>
  </adr>
</B784>
</B781>
<B787>
  <date>Date of rejection of the opposition procedure</date>
</B787>
<B788>
  <date>Date of termination of the opposition procedure
</date>
</B788>
</B780>

```

Example for opposition(s) filed

```

<B002EP>
  <ep-chg-info>
    <ep-chg idref="ep-chg0001" btag="B781" date="20041115"
status="n"/>
    <ep-chg idref="ep-chg0002" btag="B781" date="20041115"
status="n"/>
  </ep-chg-info>
</B002EP>

```

```

<B780>
  <B781 id="ep-chg0001">
    <dnum>
      <text>01</text>
    </dnum>
    <date>20041104</date>
    <kind>1</kind>
    <snm>BOREALIS GmbH</snm>
    <iid>00112121</iid>
    <adr>
      <str>Danubiastrasse 21-25</str>
      <city>2323 Schwechat-Mannswörth</city>
      <ctry>AT</ctry>
    </adr>
  </B781>
</B780>

```

```

    <B784>
      <snm>VA TECH Patente GmbH & Co</snm>
      <iid>00101692</iid>
      <adr>
        <str>Stahlstrasse 21 a</str>
        <city>4020 Linz</city>
        <ctry>AT</ctry>
      </adr>
    </B784>
  </B781>
  <B781 id="ep-chg0002">
    <dnum>
      <text>02</text>
    </dnum>
    <date>20041110</date>
    <kind>0</kind>
    <snm>Degussa Initiators GmbH & Co. KG</snm>
    <iid>00167340</iid>
    <adr>
      <str>Postfach</str>
      <city>82047 Pullach</city>
      <ctry>DE</ctry>
    </adr>
  </B781>
</B780>

```

Example for change on inadmissible opposition

```

<B002EP>
  <ep-chg-info>
    <ep-chg idref="ep-chg0001" btag="B781" date="20041117"
status="r"/>
  </ep-chg-info>
</B002EP>

<B780>
  <B781 id="ep-chg0001">
    <dnum>
      <text>01</text>
    </dnum>
    <date>20000831</date>
    <kind>2</kind>
    <snm>Baumüller Anlagen-Systemtechnik GmbH & Co.</snm>
    <iid>00128290</iid>
    <adr>
      <str>Ostendstrasse 84</str>
      <city>90482 Nürnberg</city>
      <ctry>DE</ctry>
    </adr>
  <B784>
    <snm>Götz, Georg, Dipl.-Ing.</snm>
    <sfx>et al</sfx>
    <iid>00059329</iid>
    <adr>
      <str>Götz Patent- und Rechtsanwälte, Färberstrasse
20</str>

```

```

        <city>90402 Nürnberg</city>
        <ctry>DE</ctry>
    </adr>
</B784>
</B781>
<B781>
    <dnum>
        <text>02</text>
    </dnum>
    <date>20000901</date>
    <kind>0</kind>
    <snm>Heidelberger Druckmaschinen AG</snm>
    <iid>00010291</iid>
    <adr>
        <str>Kurfürsten-Anlage 52-60</str>
        <city>D-69115 Heidelberg</city>
        <ctry>DE</ctry>
    </adr>
</B784>
    <snm>Domenego, Bertrand</snm>
    <iid>00095861</iid>
    <adr>
        <str>Cabinet Lavoix 2, place d'Estienne
d'Orves</str>
        <city>75441 Paris Cedex 09</city>
        <ctry>FR</ctry>
    </adr>
</B784>
</B781>
</B780>

```

Example for deletion of filed opposition

```

<B002EP>
    <ep-chg-info>
        <ep-chg idref="ep-chg0001" btag="B781" date="20041117"
status="d"/>
    </ep-chg-info>
</B002EP>

<B780>
    <B781 id="ep-chg0001">
        <dnum>
            <text>01</text>
        </dnum>
        <kind>1</kind>
    </B781>
    <B781>
        <dnum>
            <text>02</text>
        </dnum>
        <date>20000901</date>
        <kind>0</kind>
        <snm>Heidelberger Druckmaschinen AG</snm>
        <iid>00010291</iid>
        <adr>

```

```

        <str>Kurfürsten-Anlage 52-60</str>
        <city>D-69115 Heidelberg</city>
        <ctry>DE</ctry>
    </adr>
    <B784>
        <snm>Domenego, Bertrand</snm>
        <iid>00095861</iid>
        <adr>
            <str>Cabinet Lavoix 2, place d'Estienne
d'Orves</str>
            <city>75441 Paris Cedex 09</city>
            <ctry>FR</ctry>
        </adr>
    </B784>
</B781>
</B780>

```

Example for rejection of opposition procedure:

```

<B002EP>
    <ep-chg-info>
        <ep-chg idref="ep-chg0001" btag="B787" date="20041118"
status="n"/>
    </ep-chg-info>
</B002EP>

<B780>
    <B781>
        <dnum>
            <text>01</text>
        </dnum>
        <date>19990810</date>
        <kind>1</kind>
        <snm>VIPA Gesellschaft für Visualisierung u.
Prozessautomatisierung mbH</snm>
        <iid>00096510</iid>
        <adr>
            <str>Wetterkreuz 27</str>
            <city>91058 Erlangen</city>
            <ctry>DE</ctry>
        </adr>
    <B784>
        <snm>Dreykorn-Lindner, Werner, Dipl.-Ing.</snm>
        <iid>00052675</iid>
        <adr>
            <str>Patentanwalt, Steinlachstrasse 2</str>
            <city>90571 Schwaig</city>
            <ctry>DE</ctry>
        </adr>
    </B784>
</B781>
<B787 id="ep-chg0001">
    <date>20041005</date>
</B787>
</B780>

```

The example below shows how the <ep-chg-info> is used when there is a change on 'Opponent data' and on 'Date of termination of the opposition procedure'.

```
<B002EP>
  <ep-chg-info>
    <ep-chg idref="ep-chg0001" btag="B781" date="20041117"
status="r"/>
    <ep-chg idref="ep-chg0002" btag="B788" date="20041117"
status="d"/>
  </ep-chg-info>
</B002EP>
```

```
<B780>
  <B781 id="ep-chg0001">
    <dnum>
      <text>01</text>
    </dnum>
    <date>19990810</date>
    <kind>1</kind>
    <snm>VIPA Gesellschaft für Visualisierung u.
Prozessautomatisierung mbH</snm>
    <iid>00096510</iid>
    <adr>
      <str>Wetterkreuz 27</str>
      <city>91058 Erlangen</city>
      <ctry>DE</ctry>
    </adr>
    <B784>
      <snm>Dreykorn-Lindner, Werner, Dipl.-Ing.</snm>
      <iid>00052675</iid>
      <adr>
        <str>Patentanwalt, Steinlachstrasse 2</str>
        <city>90571 Schwaig</city>
        <ctry>DE</ctry>
      </adr>
    </B784>
  </B781>
  <B788 id="ep-chg0002">
    </B788>
</B780>
```


<B790>: Licence(s)

```

<B790>
  <B791>
    <dnum>
      <text>Serial number of the licence</text>
    </dnum>
    <date>Date of legal effect of the licence</date>
    <kind>Kind of licence</kind>
    <snm>Name</snm>
    <iid>EPO number of the Licensee</iid>
    <adr>Address
      <str>Street</str>
      <city>Town</city>
      <ctry>Country code</ctry>
    </adr>
    <B796>Designated states concerned
      <ctry>Country code</ctry>
    </B796>
  </B791>
</B790>

```

Remarks:

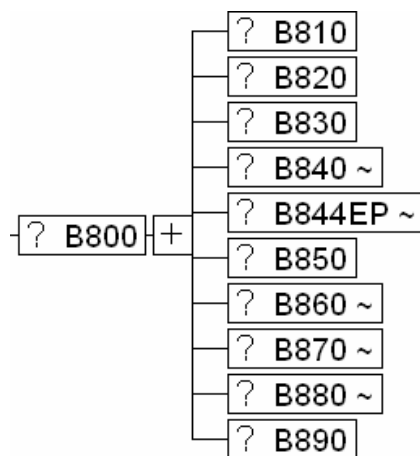
- ◆ The first two bytes of the serial number of a main licence and the other bytes represent the serial number of a sub-licence.
- ◆ The maximum serial number for a main licence and a sub-licence is 10.
- ◆ For an exclusive licence the tag <kind> contains the code "E".

Example:

```

<B790>
  <B791>
    <dnum>
      <text>0100</text>
    </dnum>
    <date>20010806</date>
    <kind>E</kind>
    <snm>FILOS s.p.a.</snm>
    <iid>00007470</iid>
    <adr>
      <str>Viale Italia 33</str>
      <city>31040 Segusino</city>
      <ctry>IT</ctry>
    </adr>
    <B796>
      <ctry>ES</ctry>
      <ctry>FR</ctry>
      <ctry>IT</ctry>
    </B796>
  </B791>
</B790>

```

<B800>: International Convention Data**<B830>: Information concerning deposit of microorganisms**

```

<B830>
  <B831>
  </B831>
</B830>

```

Information concerning request for an "expert solution".

Example:

```

<B800>
  <B830>
    <B831>Declaration under Rule 28(4) EPC (expert
    solution)</B831>
  </B830>
</B800>

```

<B840>: Designated contracting states

```

<B840>
  <ctry>Country code</ctry>
</B840>

```

Each state code is preceded by a tag ctry.

Example:

```

<B840>
  <ctry>DE</ctry>
  <ctry>DK</ctry>
  <ctry>ES</ctry>
  <ctry>NL</ctry>
  <ctry>SE</ctry>
</B840>

```

<B844EP>: States to which the application/patent is extended

```
<B844EP>States to which the application/patent is extended
  <B845EP>Extended state data
    <ctry>Country code</ctry>
    <date>Payment date</date>
    <B846EP>Date of withdrawal
      <date>yyyymmdd</date>
    </B846EP>
  </B845EP>
</B844EP>
```

Example:

```
<B844EP>
  <B845EP>
    <ctry>LT</ctry>
    <date>19930708</date>
  </B845EP>
  <B845EP>
    <ctry>LV</ctry>
    <date>19930731</date>
  </B845EP>
  <B845EP>
    <ctry>SI</ctry>
    <date>19930531</date>
    <B846EP>
      <date>19940430</date>
    </B846EP>
  </B845EP>
</B844EP>
```

<B860>: PCT application data

(86) Filing data of the PCT international application, i.e., international filing date, international application number, and, optionally, the language in which the published international application was originally filed; or, in the case of design patents, registration data of the Hague Agreement international application, i.e., international registration date and international registration number

```
<B860>
  <B861>
    <dnum>
      <anum>PCT Application number</anum>
    </dnum>
    <date>PCT Date of filing</date>
  </B861>
  <B862>Filing language</B862>
</B860>
```

Example:

```
<B860>
  <B861>
    <dnum>
      <anum>GB1999004210</anum>
    </dnum>
    <date>19991213</date>
  </B861>
  <B862>en</B862>
</B860>
```

<B870>: PCT publication data

(87) Publication data of the PCT international application, i.e., international publication date, international publication number, and, optionally, the language in which the international application is published

```
<B870>
  <B871>
    <dnum>
      <pnum>PCT Publication number</pnum>
    </dnum>
    <date>Publication date</date>
    <bnum>Issue number of the Gazette</bnum>
  </B871>
</B870>
```

Example:

```
<B870>
  <B871>
    <dnum>
      <pnum>WO2000039549</pnum>
    </dnum>
    <date>20000706</date>
    <bnum>200027</bnum>
  </B871>
</B780>
```

<B880>: Publication of the deferred search report

```
<B880>
  <date>Publication date</date>
  <bnum>Issue number of the Bulletin</bnum>
</B880>
```

Date and issue of the EPO Bulletin in which the mention of the Search Report is published.

Note: For PCT applications, <date> tag (Publication date), contains the actual date of the international search report and <bnum> tag (Issue number of the Bulletin), contains '000000'.

Example:

```
<B880>
  <date>19910724</date>
  <bnum>000000</bnum>
</B880>
```

Character set

Introduction

Many EPO computer systems and projects process data on the EPO's IBM mainframe - one of the code pages on this system is IBM EBCDIC (Extended Binary Coded Decimal Interchange Code) Code Page 500. This is an internationally recognised code page for EBCDIC. As mentioned at the beginning we extract EBD data from the EPASYS system which stores data in Code Page 500:

HEX DIGITS												
1ST →	4-	5-	6-	7-	8-	9-	A-	B-	C-	D-	E-	F-
2ND ↓												
-0	(SP) SP010000	& SM030000	- SP100000	ø LO610000	Ø LO620000	° SM190000	μ SM170000	¢ SC040000	{ SM110000	}	\ SM070000	0 ND100000
-1	(RSP) SP300000	é LE110000	/ SP120000	É LE120000	a LA010000	j LF100000	~ SD190000	£ SC020000	A LA020000	J LJ020000	÷ SA060000	1 ND610000
-2	â LA150000	ê LF150000	Â LA160000	Ê LE160000	b LB010000	k LK010000	s LS010000	¥ SC050000	B LB020000	K LK020000	S LS020000	2 ND620000
-3	ä LA170000	ë LE170000	Ä LA180000	Ë LE180000	c LC010000	l LL010000	t LT010000	· SD630000	C LC020000	L LL020000	T LT020000	3 ND630000
-4	â LA130000	è LF130000	À LA140000	È LE140000	d LD010000	m LM010000	u LU010000	© SM520000	D LD020000	M LM020000	U LU020000	4 ND640000
-5	á LA110000	í LI110000	Á LA120000	Í LI120000	e LE010000	n LN010000	v LV010000	§ SM240000	E LE020000	N LN020000	V LV020000	5 ND650000
-6	ã LA190000	î LI150000	Ã LA200000	Î LI160000	f LF010000	o LO010000	w LW010000	¶ SM250000	F LF020000	O LO020000	W LW020000	6 ND660000
-7	å LA270000	ï LI170000	Å LA280000	Ï LI180000	g LG010000	p LP010000	x LX010000	¼ NF040000	G LG020000	P LP020000	X LX020000	7 ND670000
-8	ç LC410000	ì LI130000	Ç LC420000	Ï LI140000	h LH010000	q LQ010000	y LY010000	½ NF010000	H LH020000	Q LQ020000	Y LY020000	8 ND680000
-9	ñ LN190000	ß LS610000	Ñ LN200000	` SD130000	i LI010000	r LR010000	z LZ010000	¾ NF050000	I LI020000	R LR020000	Z LZ020000	9 ND690000
-A	[SM060000] SM080000	¡ SM650000	∴ SP130000	« SP170000	ª SM210000	ï SP030000	¬ SM660000	Š SP320000	1 ND011000	2 ND021000	3 ND031000
-B	. SP110000	\$ SC030000	, SP080000	# SM010000	» SP180000	º SM200000	¸ SP160000	 SM130000	ô LO150000	û LU150000	Ô LO160000	Û LU160000
-C	< SA030000	* SM040000	% SM020000	@ SM050000	ð LD630000	æ LA510000	Ð LD620000	ˉ SM150000	ö LO170000	ü LU170000	Ö LO180000	Ü LU180000
-D	(SP060000) SP070000	— SP090000	' SP050000	ý LY110000	˙ SD410000	Ý LY120000	ˆ SD170000	ò LO130000	ù LU130000	Ò LO140000	Ù LU140000
-E	+ SA010000	; SP140000	> SA050000	= SA040000	þ LT630000	Æ LA520000	Ɔ LT640000	' SD110000	ó LO110000	ú LU110000	Ó LO120000	Ú LU120000
-F	! SP020000	^ ST150000	? SP150000	" SP040000	± SA020000	∩ SC010000	® SM530000	× SA070000	õ LO190000	ÿ LY170000	Õ LO200000	€ EC0

Code Page 00500

In re-designing the EPO publication system to use XML we decided to convert this code page to Unicode UTF-8 as it is now common for all XML based systems. Unicode has a vast number of characters but for the EBD we need only use those with equivalents in Code page 500.

The following table is a description of each code together with its graphical representation.

Note: for the full text of patent documents we will use many more Unicode characters than those given below.

**Unicode Table 1 – C0 Controls and Basic Latin
(mostly old ASCII/IBM code pages)**

Character	Unicode	500	Description
<control>	000A	15	New line control code; Line Feed
<control>	000C	0C	New page control code; Form Feed
<control>	000D	0D	Carriage return control code
<control>	001B	27	Escape control code
<control>	0020	40	Space
!	0021	4F	Exclamation mark
"	0022	7F	Quotation mark
#	0023	7B	Numeral sign
\$	0024	5B	Dollar sign
%	0025	6C	Percent sign
&	0026	50	Ampersand use &#amp;
'	0027	7D	Apostrophe
(0028	4D	Left, opening parenthesis
)	0029	5D	Right, close parenthesis
*	002A	5C	Asterisk
+	002B	4E	Plus
,	002C	6B	Comma
-	002D	60	Hyphen or minus
.	002E	4B	Full stop, Period
/	002F	61	Solidus, slash
0	0030	F0	Digit 0
1	0031	F1	Digit 1
2	0032	F2	Digit 2
3	0033	F3	Digit 3
4	0034	F4	Digit 4
5	0035	F5	Digit 5
6	0036	F6	Digit 6
7	0037	F7	Digit 7
8	0038	F8	Digit 8
9	0039	F9	Digit 9
:	003A	7A	Colon
;	003B	5E	Semicolon
<	003C	4C	Less-than sign use <
=	003D	7E	Equals
>	003E	6E	Greater than sign use >
?	003F	6F	Question mark
@	0040	7C	Commercial at
A	0041	C1	Capital A

Character	Unicode	500	Description
B	0042	C2	Capital B
C	0043	C3	Capital C
D	0044	C4	Capital D
E	0045	C5	Capital E
F	0046	C6	Capital F
G	0047	C7	Capital G
H	0048	C8	Capital H
I	0049	C9	Capital I
J	004A	D1	Capital J
K	004B	D2	Capital K
L	004C	D3	Capital L
M	004D	D4	Capital M
N	004E	D5	Capital N
O	004F	D6	Capital O
P	0050	D7	Capital P
Q	0051	D8	Capital Q
R	0052	D9	Capital R
S	0053	E2	Capital S
T	0054	E3	Capital T
U	0055	E4	Capital U
V	0056	E5	Capital V
W	0057	E6	Capital W
X	0058	E7	Capital X
Y	0059	E8	Capital Y
Z	005A	E9	Capital Z
[005B	4A	Left, open square bracket
\	005C	E0	Back slash; Reverse solidus
]	005D	5A	Right, close square bracket
^	005E	5F	Circumflex
_	005F	6D	Underscore; Low Line
`	0060	79	Grave accent
a	0061	81	Small a
b	0062	82	Small b
c	0063	83	Small c
d	0064	84	Small d
e	0065	85	Small e
f	0066	86	Small f
g	0067	87	Small g
h	0068	88	Small h
i	0069	89	Small i

Character	Unicode	500	Description
j	006A	91	Small j
k	006B	92	Small k
l	006C	93	Small l
m	006D	94	Small m
n	006E	95	Small n
o	006F	96	Small o
p	0070	97	Small p
q	0071	98	Small q
r	0072	99	Small r
s	0073	A2	Small s
t	0074	A3	Small t
u	0075	A4	Small u
v	0076	A5	Small v
w	0077	A6	Small w
x	0078	A7	Small x
y	0079	A8	Small y
z	007A	A9	Small z
{	007B	C0	Left, open curly brace
	007C	BB	Vertical line, bar
}	007D	D0	Right, close curly brace
~	007E	A1	Tilde

Unicode Table 2 – C1 Controls and Latin-1 Supplement - ISO 8859

	Unicode	500	Description
0	0030	F0	Slash zero [Use normal zero]
	00A0	41	No-break space
¡	00A1	AA	Inverted exclamation mark
¢	00A2	B0	Cent sign
£	00A3	B1	Pound sign
¤	00A4	9F	Currency sign
¥	00A5	B2	Yen sign
	00A6	6A	Broken vertical bar
§	00A7	B5	Section sign
¨	00A8	BD	Diaeresis
©	00A9	7C	Copyright sign
^a ◻	00AA	9A	Ordinal indicator, feminine
«	00AB	8A	Left-pointing double quotation mark = Left pointing guillemet, chevrons
¬	00AC	BA	Not sign
-	00AD	CA	Soft-hyphen
®	00AE	AF	Registered trade mark
—	00AF	BC	Macron
°	00B0	90	Degree sign
±	00B1	8F	Plus minus
²	00B2	EA	Superscript two
³	00B3	FA	Superscript three
´	00B4	BE	Acute accent
µ	00B5	A0	Micro sign
¶	00B6	B6	Paragraph sign; Pilcrow sign
·	00B7	B3	Centre dot
¸	00B8	9D	Cedilla
¹	00B9	DA	Superscript 1
^o ◻	00BA	9B	Ordinal indicator, masculine
»	00BB	8B	Right pointing double angle quotation mark
¼	00BC	B7	Quarter
½	00BD	B8	Half
¾	00BE	B9	Three quarters
¿	00BF	AB	Inverted question mark
À	00C0	64	Capital A grave
Á	00C1	65	Capital A acute
Â	00C2	62	Capital A circumflex

	Unicode	500	Description
Ã	00C3	63	Capital A tilde
Ä	00C4	63	Capital A umlaut
Å	00C5	67	Capital A over circle
Æ	00C6	9E	Capital AE
Ç	00C7	68	Capital C cedilla
È	00C8	74	Capital E grave
É	00C9	71	Capital E acute
Ê	00CA	72	Capital E circumflex
Ë	00CB	73	Capital E umlaut
Ì	00CC	78	Capital I grave
Í	00CD	75	Capital I acute
Î	00CE	76	Capital I circumflex
Ï	00CF	77	Capital I umlaut
Ð	00D0	AC	Capital ETH, Icelandic
Ñ	00D1	69	Capital N tilde
Ò	00D2	ED	Capital O grave
Ó	00D3	EE	Capital O acute
Ô	00D4	EB	Capital O circumflex
Õ	00D5	EF	Capital O tilde
Ö	00D6	EC	Capital O umlaut
×	00D7	BF	Multiply sign [See also U2715]
Ø	00D8	80	Capital O, slash
Ù	00D9	FD	Capital U grave
Ú	00DA	FE	Capital U acute
Û	00DB	FB	Capital U circumflex
Ü	00DC	FC	Capital U umlaut
Ý	00DD	AD	Capital Y acute
Þ	00DE	AE	Capital Thorn, Icelandic
ß	00DF	59	Small s sharp,
à	00E0	44	Small a grave
á	00E1	45	Small a acute
â	00E2	42	Small a circumflex
ã	00E3	46	Small a tilde
ä	00E4	43	Small a umlaut
å	00E5	47	Small a over circle
æ	00E6	9C	Small diphtong
ç	00E7	48	Small c cedilla
è	00E8	54	Small e grave
é	00E9	51	Small e acute

	Unicode	500	Description
ê	00EA	52	Small e circumflex
ë	00EB	53	Small e umlaut
ì	00EC	58	Small i grave
í	00ED	55	Small i acute
î	00EE	56	Small i circumflex
ï	00EF	57	Small i umlaut
ð	00F0	9C	Small eth, Icelandic
ñ	00F1	49	Small n tilde
ò	00F2	CD	Small o grave
ó	00F3	CE	Small o acute
ô	00F4	CB	Small o circumflex
õ	00F5	CF	Small o tilde
ö	00F6	CC	Small o umlaut
÷	00F7	4E	Divide sign
ø	00F8	70	Small o, slash
ù	00F9	DD	Small u grave
ú	00FA	DE	Small u acute
û	00FB	DB	Small u circumflex
ü	00FC	DC	Small u umlaut
ý	00FD	8D	Small y acute
þ	00FE	8E	Small thorn, Icelandic
ÿ	00FF	DF	Small y umlaut